

Icon™ Technical Specification

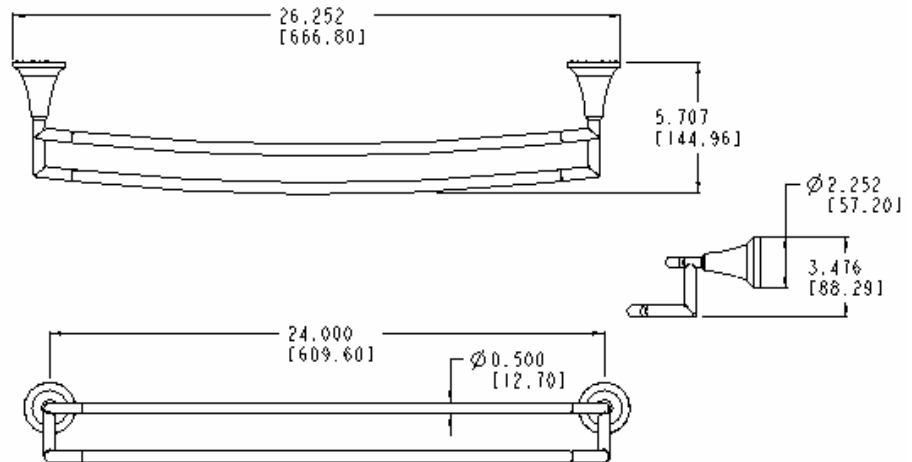
Double Towel Bar

YB5822

Stock Numbers:

- q YB5822BN – 24" Double Towel Bar
Brushed Nickel Finish
- q YB5822CH – 24" Double Towel Bar
Chrome Finish

Dimensions:



Materials:

Double Towel bar posts are constructed of zinc. Bars are constructed of aluminum.

Installation Instructions:

This product features the Pro+Fit Installation Mounting System. If you do not have the Pro+Fit Installation Template please use the following instructions. (Note: only one hole is required per mounting post.)

1. Find the appropriate center to center measurement for the product you are installing.
2. Mark that distance on the wall where you want to install the product.
3. Use a level to ensure that the pilot holes will be perfectly level.
4. Using $\frac{1}{4}$ " drill bit, drill one pilot hole for each post.
5. Position mounting post to wall by inserting wall anchor into pilot hole and pressing firmly.
6. Make sure that locking tab on mounting post is facing down (6 o'clock).
7. Tighten wall anchor screw while holding mounting post firmly in place. DO NOT over tighten (6 - 8 full turns will secure the anchor).
8. Towel bar must be attached to mounting posts as a unit - insert towel bar into each post.
9. Attach posts by pressing firmly to mounting posts until it clicks. (The square opening at the base of the post must be facing down to match-up with locking tab.)

If you are mounting any parts into a hard surface snap off the anti-rotation fins on the back of the mounting posts.

Cleaning Instructions:

To preserve the fine finish of this product, clean only with a soft damp cloth. Dry well. Do not use commercial or abrasive cleaners.

Stock Number: _____ Double Towel Bar
By CSI Bath Furnishings



25300 AL MOEN DRIVE • NORTH OLMSTED, OH 44070
CORPORATE HEADQUARTERS: (800) 321-8809 • FAX: (800) 848-6636
INTERNATIONAL: (440) 962-2000 • FAX: (440) 962-2726
CUSTOMER SERVICE (USA): 800-882-0116 • FAX: (888) 379-2720
WWW.CSI.MOEN.COM

©Copyright Creative Specialties International 2006

Literature #BA1340