

3-Year Limited Tank/ 1-Year Limited Parts Warranty*

The BBCN3-75T75 commercial gas water heater meets California Air Quality Management District Requirements for NOx emissions of 14 ng/j or 20 ppm. This model is equipped with a pre-wired, factory-mounted blower. This blower provides more efficient control of heat and helps ensure an adequate supply of make-up air. Prior to ignition, the control proves a working draft.

Factory-Installed Blower

- Control proves draft prior to ignition
- No draft hood or barometric damper required
- Blower is factory-mounted with a 6-foot power cord: requires 120V, 3 amp or less electrical system connection

Intelli-Vent™ Gas Control

- Equipped with nearly indestructible silicon nitride hot surface ignitor
- Advanced electronics for precise control of water temperature
- Easy-to-understand system diagnostics

Rated as Category I Appliance

- Category I appliance: uses standard metal, single-wall or "B" type vent
- May be common vented with other Category I appliances
- Vent connects directly to blower outlet

Fully Automatic Control System

- Auto-reset gas shutoff device prevents excessive water temperature
- Adjustable thermostat with 120°F - 180°F range
- Gas pressure regulator

Glasslined Tank

- Anode rods with stainless steel core provides additional corrosion protection

Handhole Cleanout

- Allows easy access to tank interior for cleaning

CSA Certified and ASME Rated T&P Relief Valve

Maximum Hydrostatic Working Pressure: 150 PSI

80% Thermal Efficiency

Codes and Standards

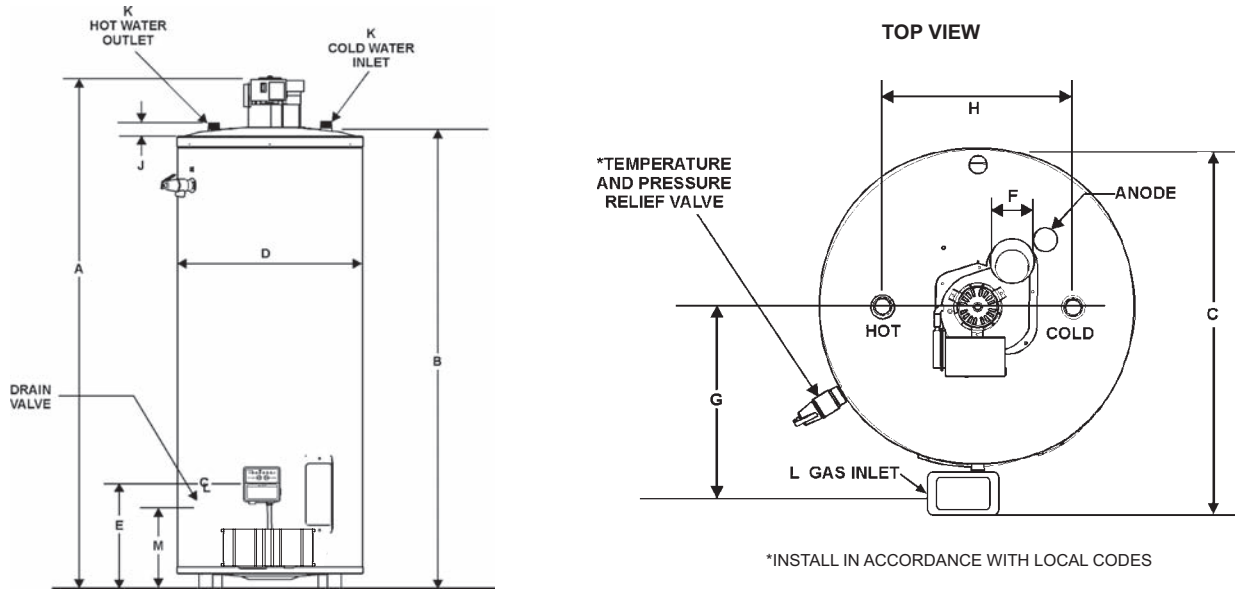
- Design-certified according to ANSI Z21.10.3-CSA 4.3 standards governing storage-type water heaters
- California Energy Commission
- Meets the thermal efficiency and standby loss requirements of the U.S. Department of Energy and current edition of ASHRAE/IESNA 90.1
- Design-certified by Underwriters Laboratories
- Certified for use on combustible flooring
- Complies with SCAQMD Rule 1146.2 and other Air Quality Management Districts with similar requirements of 14 ng/j or 20 ppm

Optional Leg Kit to Meet NSF Standard 5

- (Part #9006645005)



*For complete warranty information consult the written warranty of American Water Heaters found at www.americanwaterheater.com, or call (800) 456-9805.



Dimensions in Inches/Centimeters

Model	Units	A	B	C	D	E	F	G	H	J	K	L	M
BBCN3 75T75 NV	INCHES	65-7/8	57-7/8	30-15/16	25-1/4	15-3/8	4	15-3/4	16	2-1/4	1	1/2	12-1/4
	CM	167.22	145.23	78.58	64.14	38.6	10.2	40.0	40.6	5.71	NPT	NPT	31.1

Recovery Capacities (based on 80% thermal efficiency)

Model	Approximate Capacity		Input Rating		Type of Gas	Temperature Rise													
	Gallons	Litres	Btu/Hr.	kW/Hr.		30°F 17°C	40°F 23°C	50°F 28°C	60°F 33°C	70°F 39°C	80°F 44°C	90°F 50°C	100°F 56°C	110°F 61°C	120°F 67°C	130°F 72°C	140°F 78°C		
BBCN3 75T75 NV	74	280	75,100	22	GPH LPH	243 920	182 688	145 549	122 460	104 392	91 344	81 306	73 277	66 251	60 228	56 213	52 199		

Gas and Electrical Characteristics

Model	Manifold Pressure			Electrical Characteristics	
	Type of Gas	Inches W.C.	kPa	Volts/Hz	Amperes
BBCN3 75T75 NV	Natural	4.0	1.12	120/60	<5

Specification

Natural gas water heater(s) shall be American BBCN _____ or equal, with a storage capacity of _____ gallons, an input rating of _____ BTUs per hour, a recovery rating of _____ GPH at 100°F rise and a maximum hydrostatic working pressure of _____ psi. Water heaters(s) shall be supplied with a factory-installed blower and 6-foot power cord; control will prove draft prior to ignition. Glasslined water heater(s) shall also be protected against electrolytic corrosion by a factory-installed anode rod. In addition, water heater(s) shall be equipped with: 1) An Intelli-Vent™ gas control system with silicon nitride hot surface ignitor, advanced electronics for precise control of water temperature, and easy-to-understand system diagnostics. 2) An auto-reset gas shutoff device, a gas pressure regulator, CSA Certified and ASME rated T&P relief valve. 3) Certification by Underwriters Laboratories under Volume III tests for commercial water heaters for delivery of 180°F water. 4) Design certification according to ANSI Z21.10.3 - CSA 4.3 standards governing storage-type water heaters. 5) Meets the thermal efficiency and standby loss requirements of the U.S. Department of Energy and current edition of ASHRAE/IESNA 90.1 and meets Ultra-low NOx emissions of 14 ng/j or 20 ppm. 6) Have a 3-year limited tank and 1-year parts warranty against corrosion as outlined in the written warranty.

Distributed By:

Order Entry and Sales

500 Princeton Road (FEDEX, UPS)
 Johnson City, TN 37601-2030
 P.O. Box 4808 (Mailing)
 Johnson City, TN 37602-4808
 (800) 937-1037
 FAX (800) 581-7224

Warranty and Service

500 Princeton Road (FEDEX, UPS)
 Johnson City, TN 37601-2030
 P.O. Box 1597 (Mailing)
 Johnson City, TN 37605-1597
 (800) 456-9805
 FAX (800) 999-5210