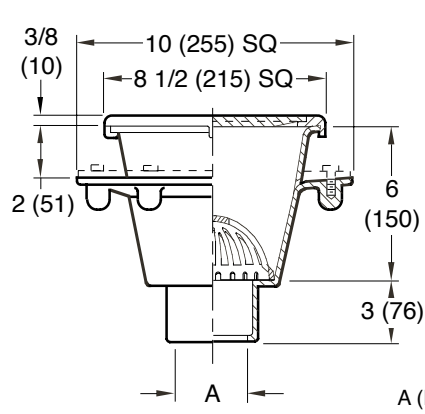


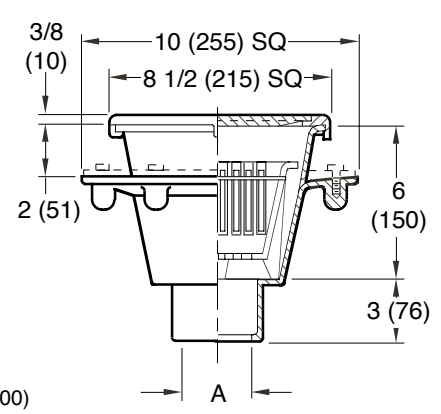
SANI-CEPTOR® ACID RESISTANT COATED FLOOR & INDIRECT WASTE DRAINS

SQUARE NICKEL BRONZE TOP 8 1/2" (215) TOP - MEDIUM RECEPTORS

FUNCTION: Used in kitchens, hospitals, food markets, restaurants, schools and all types of food handling areas where the ultimate in sanitation is desirable and a medium capacity receptor is required.



Free Area
19.43 SQ IN
(125) SQ CM



A (Pipe Size) = 02(50), 03(80) or 04(100)

- | | | |
|-------------------------------------|---------------|-------------------------------------|
| <input type="checkbox"/> Fig. 3100C | CAULK OUTLET | <input type="checkbox"/> Fig. 3101C |
| <input type="checkbox"/> Fig. 3100Y | NO-HUB OUTLET | <input type="checkbox"/> Fig. 3101Y |

FEATURES, OPTIONS & ORDERING INFORMATION

REGULARLY FURNISHED: Cast Iron Flanged Receptor with Seepage Holes, Acid Resistant Coated Interior, Nickel Bronze Rim and Secured Grate. Aluminum Dome Bottom Strainer or White ABS Sediment Bucket as Indicated by Figure Number.

OPTIONAL MATERIALS:

- All Duco Cast Iron Receptor -CI
- All Galvanized Receptor -G

NOTE: Dimensions shown in parentheses are in millimeters.

VARIATIONS:

- Aluminum Flat Bottom Strainer -FBS
- Flashing Clamp -C
- Less Flange (Specify Fig. 3105, 3106)
- Polished Aluminum Dome Bottom Strainer -PDBS
- Vandal Proof Screws -U
- L Speedi-Set Service Weight
02(50), 03(80) & 04"(100) sizes only
- LXH Speedi-Set Extra Heavy
02(50), 03(80) & 04"(100) sizes only

SUFFIX NUMBER SQUARE RIM

SUFFIX NUMBER	DESCRIPTION
<input type="checkbox"/> -10	Less NB Rim and Grate
<input type="checkbox"/> -11	Less Grate w/NB Rim
<input type="checkbox"/> -12	With NB Rim and 1/2 Grate
<input type="checkbox"/> -13	With NB Rim and 3/4 Grate
<input type="checkbox"/> -14	With NB Rim and Grate with 2 1/2" (64) SQ Center Hole
<input type="checkbox"/> -15	With NB Rim and Aluminum Recessed Grate
<input type="checkbox"/> -19	With NB Rim and Hinged Grate
<input type="checkbox"/> -21	With NB Rim and Grate with 4" (100) DIA NB Funnel
<input type="checkbox"/> -22	With NB Rim and Grate with 6" (150) DIA NB Funnel
<input type="checkbox"/> -25	With NB Rim and Grate with 8 1/4(210) x 3 1/4(83) x 4 1/2"(115) High Oval NB Funnel
<input type="checkbox"/> -26	With NB Rim and Grate with 6(150) x 2 1/2(64) x 1"(25) High Oval NB Funnel
<input type="checkbox"/> -41	With NB Rim and Solid Cover
<input type="checkbox"/> -42	With NB Rim and 1/2 Solid Cover
<input type="checkbox"/> -43	With NB Rim and 3/4 Solid Cover
<input type="checkbox"/> -44	With NB Rim and Solid Cover with 2 1/2" (64) DIA Center Hole

DRAWING NUMBER: S3100
 SIZE: A
 SCALE: NONE
 DATE: 9-19-85
 APPROVED BY: SJM
 CHECKED BY: JD
 DRAWN BY: PJ
3100, 3101
 DIMENSIONS ARE SUBJECT TO MANUFACTURERS TOLERANCE AND CHANGE WITHOUT NOTICE
 WE CAN ASSUME NO RESPONSIBILITY FOR USE OF SUPERSEDED OR VOID DATA

H G F	8-4-14 6-10-14 01/20/11	Revised Variations Revised Reg. Furn., Var. Updated Logo	TBW TBW JJ	CL TWK TW	WEIGHT POUNDS	VOLUME CUBIC FEET	FIGURE NUMBER 3100, 3101
REV.	DATE	DESCRIPTION	BY	CKD. BY			