

FEATURES

- Gentle Aerated, Warm Water, Dual Action Spray with oscillating feature
- Adjustable water temperature and volume
- Warm air drying with five variable temperature settings
- Automatic air deodorizer
- Convenient arm control panel
- Docking Station Easy to Install and Clean
- Heated Seat with Temperature Control
- Water Premist™ of bowl before each use

MODELS

- SW2034 - Elongated front
- SW2033 - Round front



COLORS/FINISHES

- Standard
- #01 Cotton
- #12 Sedona Beige

PRODUCT SPECIFICATION

Seat shall be model # SW2033 or SW2034._____

Seat shall have gentle aerated, warm water, dual action spray with cycling movement and massage feature. Seat shall have adjustable water temperature and volume. Seat shall have warm air drying with five variable temperature settings. Seat shall have automatic air deodorizer. Seat shall be solid plastic with closed front seat and cover. Seat shall include power cord, and water supply hoses. Supplies bowl with a Premist™ before each use.

CODES/STANDARDS

- Meets and exceeds ASME A112.4.2, ASME A112.18.1/CSA B125.1, UL 1431, CSA C22.2 #68
- Certifications: IAPMO(cUPC), State of Massachusetts, City of Los Angeles and others
- Code Compliance: UPC, IPC, NSPC, NPC Canada, and others



SW2033 & SW2034

Washlet® C100

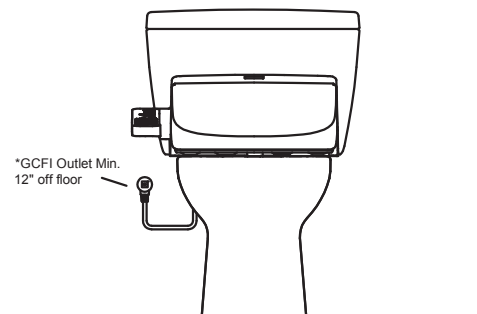
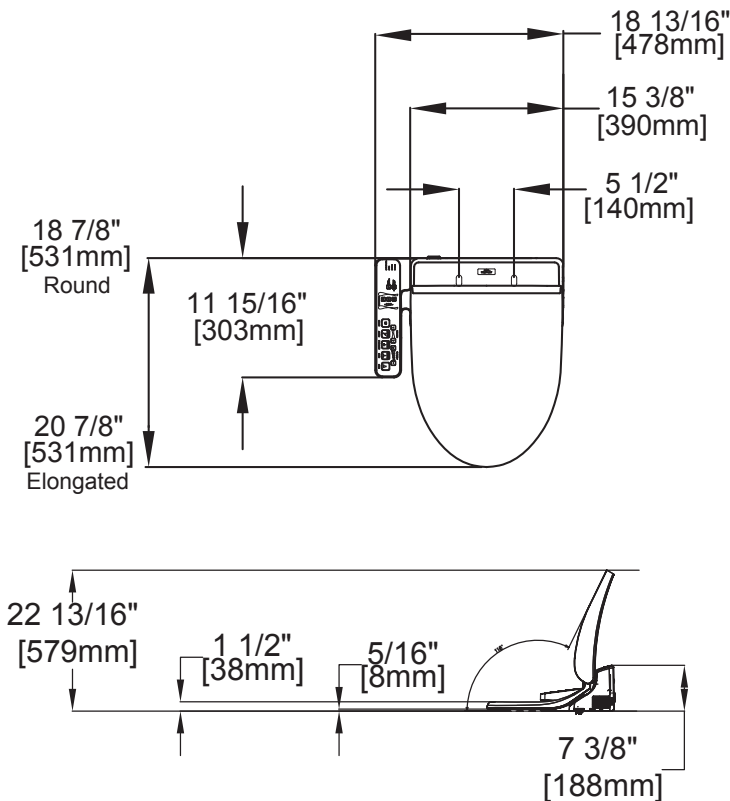
SPECIFICATIONS

- **Power Rating:** AC 120V-60Hz, 406W
- **Power Cord:** Maximum length: 3.94 ft/120 cm, 3 prong grounded plug
- **Water Feature:** Adjustable Water Flow Rate:
Front washing - 9.8 -14.5 oz/min
Rear washing - 9.1 - 14.5 oz/min
Soft Rear - from 9.1 - 14.5 oz/min
- **Washing Spray Temp:** Minimum: 95°F/35°C
Maximum: 104°F/40°C
- **Safety Device:** Thermal fuse.
- **Drying Feature:** Air temperature:
High: about 140°F/60°C
Low: about 86°F/30°C
- **Dryer Air Capacity:** 9.53ft³/min
- **Seat Warming Feature:** Surface Temperature:
Minimum: 82°F/28°C
Maximum: 97°F/36°C
- **Safety Device:** Thermal fuse
- **Water Supply Pressure:** Minimum: 7.25 psi
Maximum: 108.75 psi
- **Ambient Temperature:** Range:
32°F/0°C to 104°F/40°C
- **Warranty:** One Year Limited Warranty
- **Shipping dimensions:** C100 Elongated – 23 1/2" x 20 1/2" x 9"
C100 Round – 21 1/2" x 20 1/2" x 9"
- **Shipping weight:** C100 Elongated – 16lbs
C100 Round – 16lbs

Note: These numbers may change once the first samples arrive

INSTALLATION NOTES

- Washlet C100 may not fit certain toilet bowl designs.
- If possible, with your order, please include your model number (from the underside of the tank lid).
- It is highly recommended to use a surge protector to prevent damage in the event of a power surge.



*The 3-prong cord on the Washlet is on the right side and is 4' long.

TOTO®

These dimensions and specifications are subject to change without notice