



Buy it for looks. Buy it for life.®

FAUCET DESCRIPTION

- Metal construction with chrome plated, antique nickel, oil rubbed bronze, wrought iron, LifeShine® polished brass or brushed nickel finishes
- Includes showerhead, arm and flange

OPERATION

- Handle operates counterclockwise through a 270° arc with off at 6 o'clock and maximum hot at the 9 o'clock position. Shut off in clockwise direction
- Adjustable temperature limit stop to control maximum hot water temperature
- Pressure balancing mechanism maintains selected discharge temperature to ± 2°

FLOW

- Showerhead limited to 2.5 gpm (9.5 L/min)

CARTRIDGE

- 1225 cartridge design
- Nonmetallic/nonferrous and stainless steel materials
- Accommodates back to back installations

STANDARDS

- Third party certified by CSA to meet CSA B-125, ASME A112.18.1M and all applicable requirements referenced therein and complies with the applicable requirements of ANSI A117.1

WARRANTY

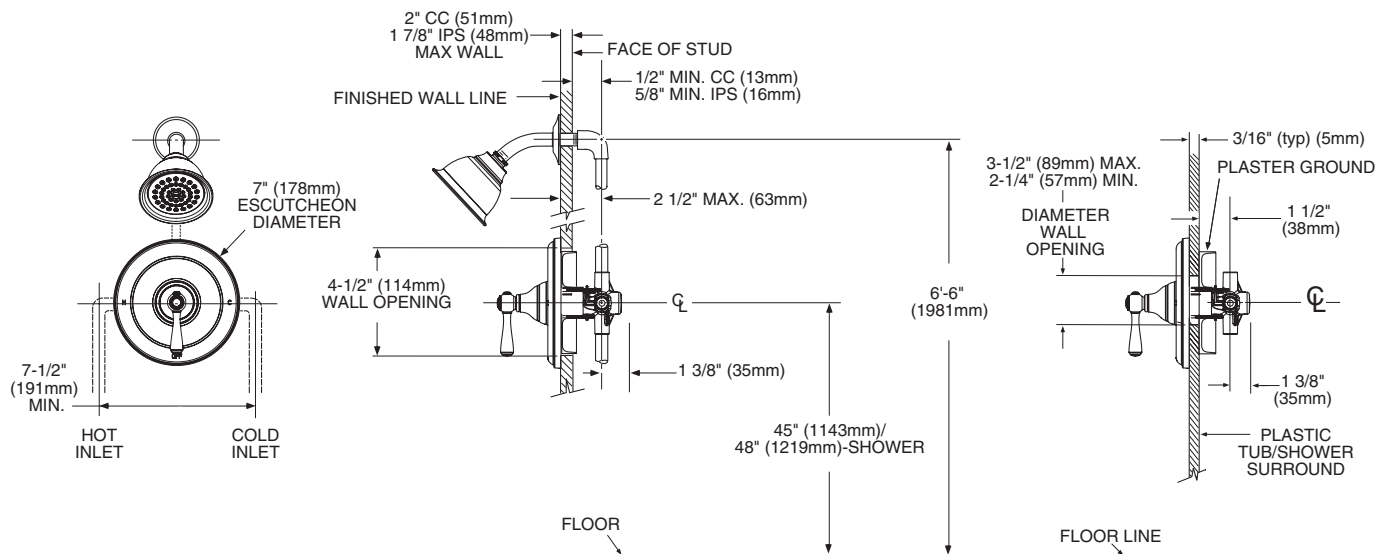
- Lifetime limited warranty against leaks, drips and finish defects to the original consumer purchaser
- 5 year warranty if used in commercial installations

Specifications



**KINGSLEY™ POSI-TEMP®
Single-Handle Shower (Trim Only)**

Models: T2112, T2112CP,
T2112P, T2112BN, T2112WR,
T2112AN, T2112ORB



THICK WALL APPLICATION

THIN WALL APPLICATION

CRITICAL DIMENSIONS

(DO NOT SCALE)