

► **Code Number**

3335051

► **Description**

6 VDC Adapter Powered, Sensor Activated, Electronic Hand Washing Faucet for pre-tempered or hot and cold water operation.

► **Flow Rates**

☐ 0.5 gpm/1.9 Lpm Laminar (EAF-63 Standard)

► **Specifications**

- Sensor Activated, Electronic, Chrome Plated Die-Cast Metal, Hand Washing Faucet with the following features:
- Modular One-piece Construction with all Concealed Components above deck
- Double Infrared Sensors with Automatic Setting Feature and Microprocessor
- Magnetic Solenoid Valve
- Water Supply Connection with Flexible High-pressure Hose and Strainer
- 6 Volt DC Plug-in Adapter (must be ordered separately for Less Adapter/Transformer (-LT) faucets)
- Appropriate Mounting Hardware included

► **Variations**

- Plug-In Adapter
- ISM Integral Spout Mixer

► **Accessories**

- Trim Plates must be specified and ordered separately.
- See Accessories Section of the Sloan Catalog for details on these and other Shower Head variations.

► **Control Circuit**

6 VDC — Includes Auto Set Range Adjustment

► **Sensor Range**

Nominal: 4"-5" (102 mm - 127 mm)

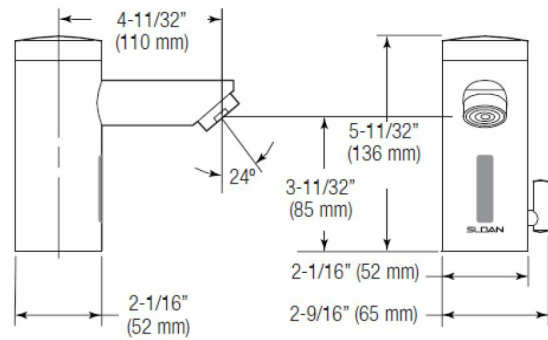
Faucet Adaptive Self-adjustment Range: 2"-14" (51 mm - 356 mm) nominal

► **Time Out Setting**

2 minutes— Maximum time faucet will run upon continuous detection (except for i.q.-Click models that are otherwise set in continuous run).



EAF-200-ISM



► **The new Optima i.q. faucet — Bringing intelligence to water**

Sloan's new Optima i.q. EAF-200 Series electronic hand washing faucets operate by means of a dual infrared sensor and microprocessor based logic. The modular design incorporates all of the operating components of the faucet, including the sensor, solenoid and circuitry above the sink within a die-cast metal spout.

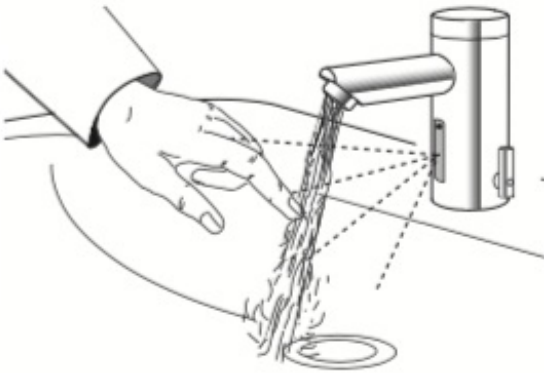
ISM models feature an integral temperature control lever which allows the user to adjust the water temperature. This adjustment can also be converted to a fixed setting. EAF faucets ordered without the ISM variation must be connected to a single, pre-tempered water supply.

► **Compliance**

ASME A112.18.1-2005/CSA B125.1-05, ISO/IEC 17025

This space for Architect/Engineer Approval

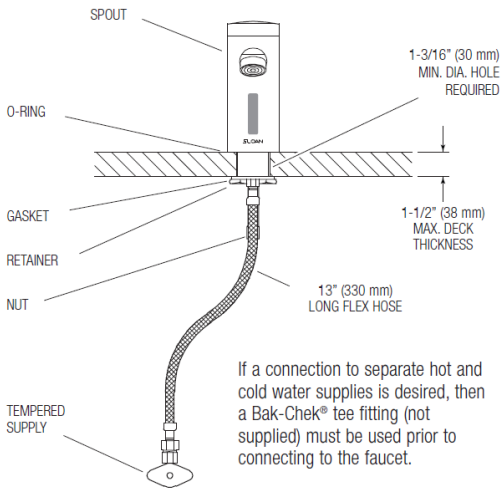
### ► OPERATION



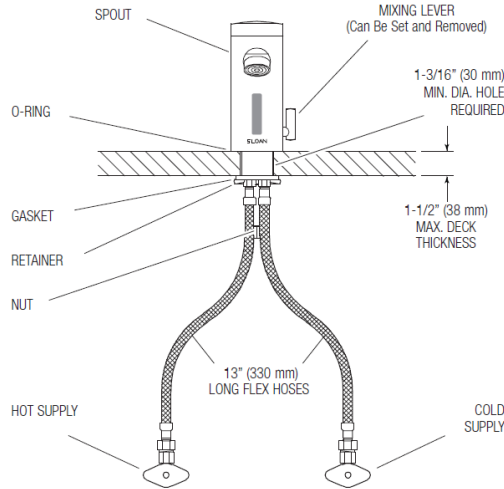
As the user's hands enter the beam's effective range, the beam is reflected back into the sensor receiver and activates the solenoid valve allowing water to flow from the faucet. Water will flow until the hands are removed or until the faucet reaches its automatic time out limit setting.

### ► ROUGH-IN

**EAF-200**  
Faucets with Single Line Water Supply



**EAF-200-ISM, EAF-200-ISM-IC AND  
EAF-200-ISM-DPU-IC**  
Faucets with Hot and Cold Water Supply



When the EAF faucet is installed on a sink that has three (3) hole punchings, a Trim Plate should be used. **Trim Plates must be specified and ordered separately:**

- ETF-312-A  
Trim Plate for 4" (102 mm)  
Centerset Sink
- ETF-510-A  
Trim Plate for 8" (204 mm)  
Centerset Sink