

STEAMIST®

ChromaSense Option Only

Model: TSCH

Product Information – TSCH

5 year parts warranty

Can only be installed with TSG Series generators.

Package Includes:

- (1) TSC Digital Control Module
- (1) 3 5/8" diameter light fixture
- (1) 25' control cable
- (1) 25' light fixture control cable
- (1) Silicone Sealant

Installation Notes

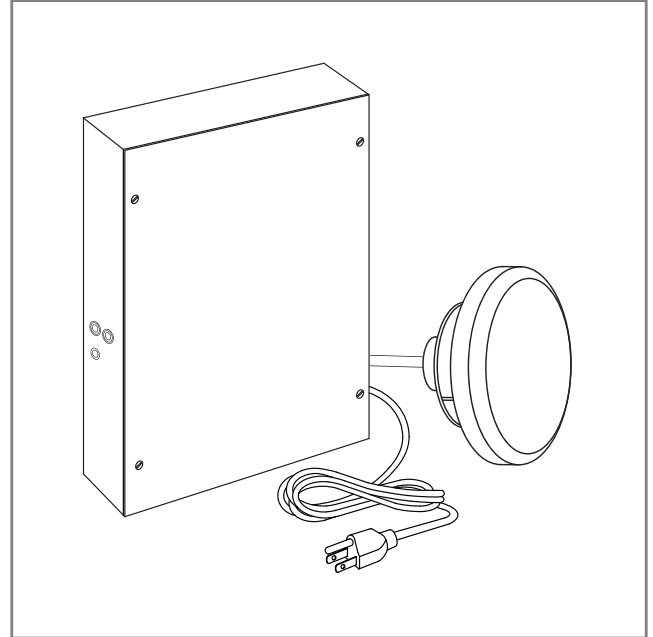
Digital Control Module Mounting Holes: 10" apart and level

Rough-in Notes

TSC Digital Control Module requires 120 volt outlet

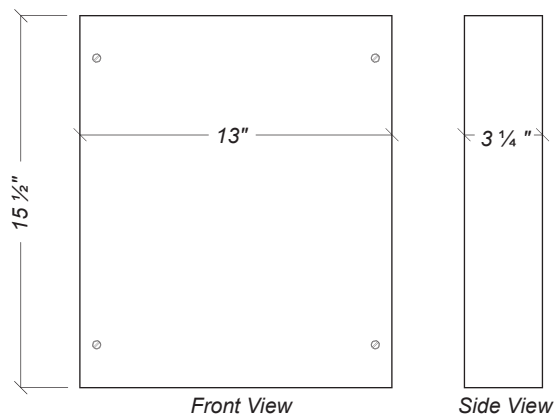
Requires 2 1/2" hole for mounting the light fixture

ChromaSense Option

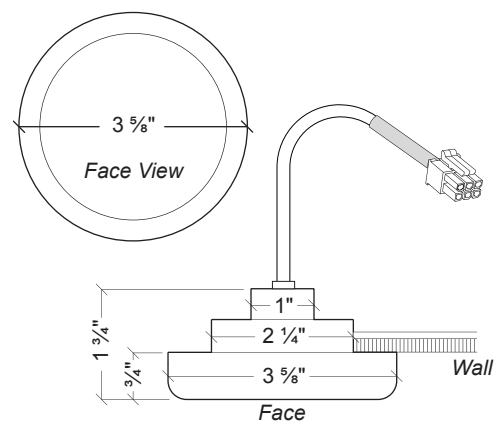


Dimensions

TSC Digital Control Module



Light Fixture



Wiring Layout

