

# STEAMIST®

Steam Generator Models: TSG-12 & TSG-15

**Features**

Limited lifetime warranty - 2-year in home labor warranty where available

Generator typically can be installed up to 25 ft. from the bathing area

Selectable "Instamist"

Proportional Steam

"Gangable" up to (4) generator

Diagnostic LED Displays

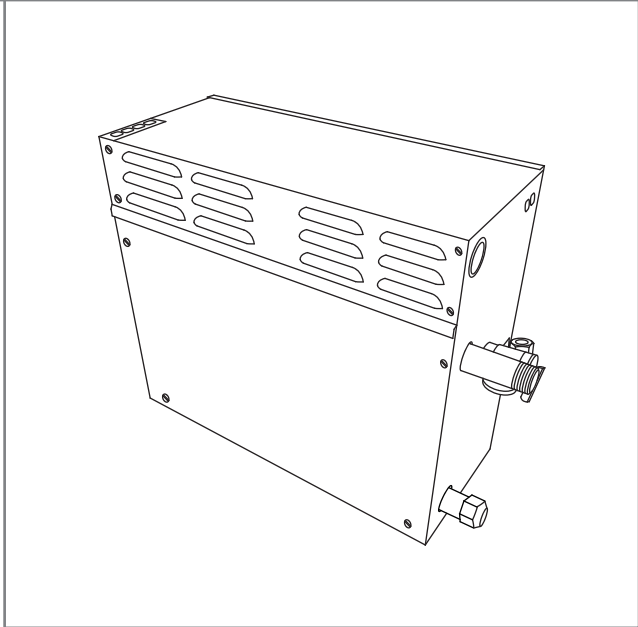
Stainless Steel Construction

Solid-State Circuitry

**Codes/Standards**

UL 499

UL/CUL Listed



Steam Generator Specification Chart

Model Number	Product Number	KW Rating	* Max. Cu. Ft. Range	Volts/Phase/Max. Amps	Line Fuse	Dimensions L x W x H
TSG-12	1220	12	550	240/1/50	60	17¾" x 7½" x 15½"
	1221			208/1/58	70	
	1222			240/3/29	40	
	1223			208/3/33	40	
TSG-15	1520	15	675	240/1/63	80	17¾" x 7½" x 15½"
	1521			208/1/72	90	
	1522			240/3/36	50	
	1523			208/3/42	60	

\* Refer to sizing guidelines to accurately determine the proper size generator for the installation.  
**90°C copper wire is required for generator connection. Installation shall be in accordance with NEC and local electrical codes.**

**Required Equipment**

TSC Model Control

**Required Electrical Service**

Dedicated circuit required: See Specification Chart for proper electrical requirements

**Product Information**

Water Supply - ½" Compression Fitting, 120 PSI Max

Steam Line - ¾" Brass BPT male thread

Pressure Relief Valve - ¾" NPT female thread

Drain Line - Capped ½" Brass NPT male thread

**Generator**

Weight - 50 lbs.

**Installation Notes**

Steam Generators can be typically mounted within 25 ft. of the bathing area.

Steam Generators should be accessible for service.

Do NOT install near flammable material such as paints, thinners, gasoline, etc.

Steam generators must NOT be installed outdoors, in moist, humid areas, in areas prone to freezing, or extreme heat such as an unventilated attic. To do so will void the warranty.

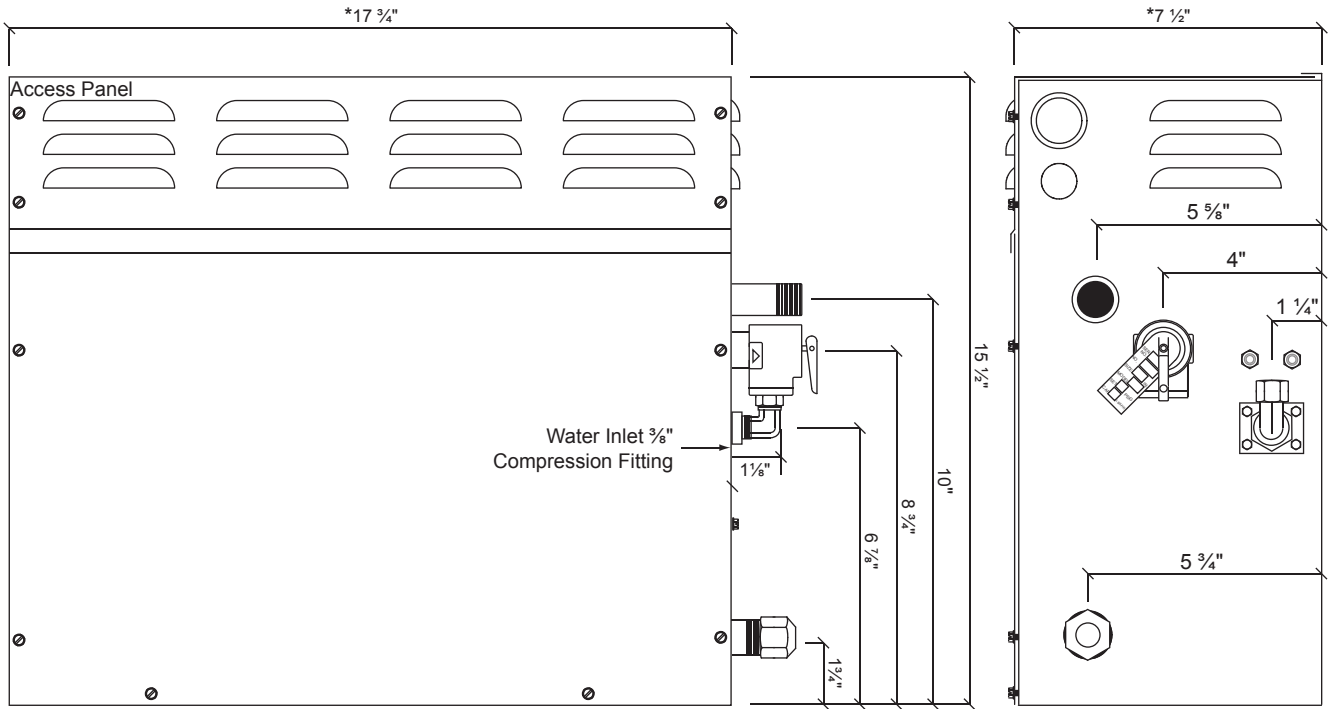
Steamhead to be mounted 18" above floor or 6" above rim of tub and as far from the seating area as possible.

**Rough-in Notes**

Access: 28" L x 20" W x 22" H (35" L with Auto Drain)

Dimensional Drawing

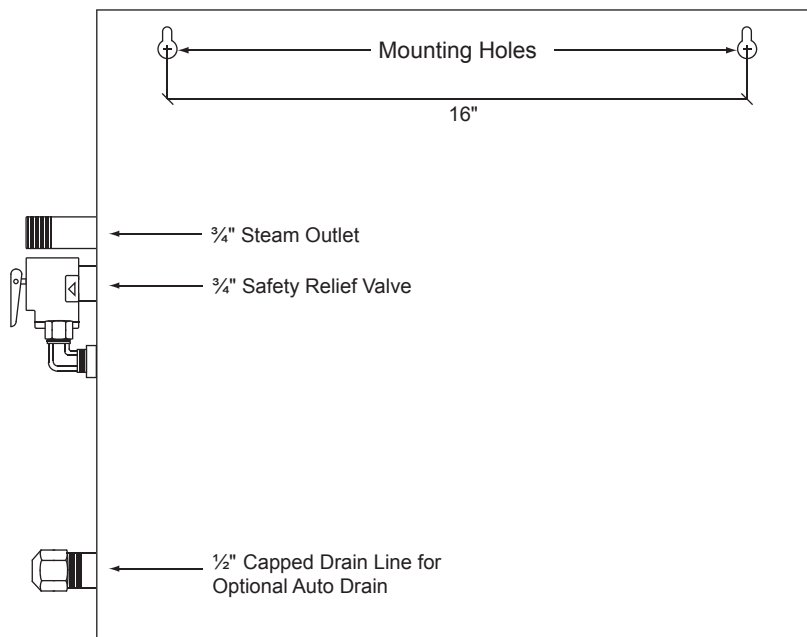
Models: TSG-12 & TSG-15



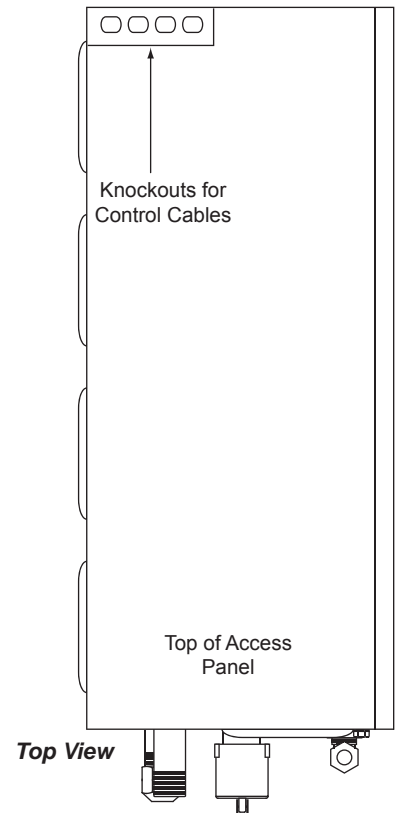
Front Access

Front Side View

\* Add  $\frac{1}{4}$ " to the dimension for the louvers



Back View



Top View