

- LG40-YPOC Finish(CC)
- LG40-YPOK Finish(KK)
- LG40-YPOU Finish(UU)
- LG40-YPOY Finish(Y)

- Single Control
- Pforever Seal
- Waterfall Trough Spout

## Specifications

### Features

- 1.2 GPM Flow Rate
- MatchMakers® Accessories Available
- Waterfall Trough Spout
- Lever Handle
- Less Pop-Up
- Not Drilled
- Fixed Spout
- Single-Post Mounting
- Pforever Seal Ceramic Disc Valve
- Pforever Warranty®

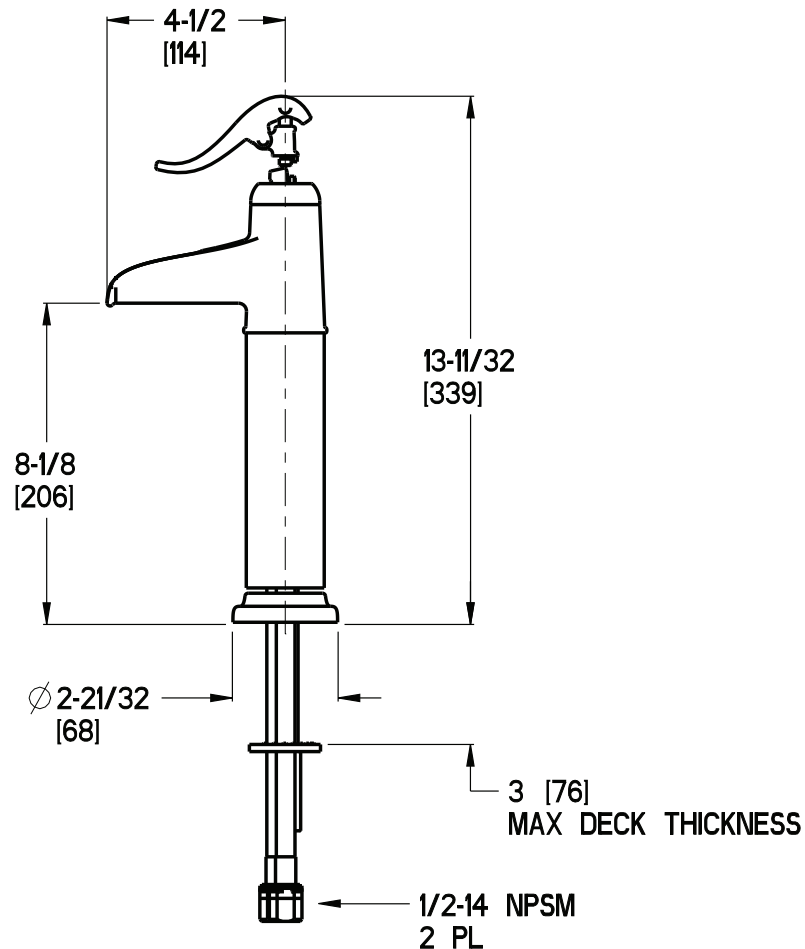
### Code Compliance

Pfister products are designed and manufactured in compliance with the following standards and codes:

- IAPMO Certified
- CSA B125 Certified
- ASME A112.18.1
- NSF 61/9 Annex G (Low lead)
- Cal Green Compliant
- EPA WaterSense Certification 1.2 gpm, 4.5 L/Min
- ADA Compliant-ANSI A117.1 (Lever handles only)



## Dimensions



Ø1 Min to Ø1-1/2 Max. Deck Hole Openings