

Features

- Brass construction.
- Lever handle.
- Push-button diverter.

Required Accessories

K-11748 Series Rite-Temp® Valves

or

K-11748-KS

Adapters, Rough-in and Extension Kits

1016154

Optional Accessories

88526 Thin Wall Trim Kit



ADA

CSA B651

OBC

Codes/Standards

ASME A112.18.1/CSA B125.1

ASSE 1016

ADA

ICC/ANSI A117.1





CSA B651

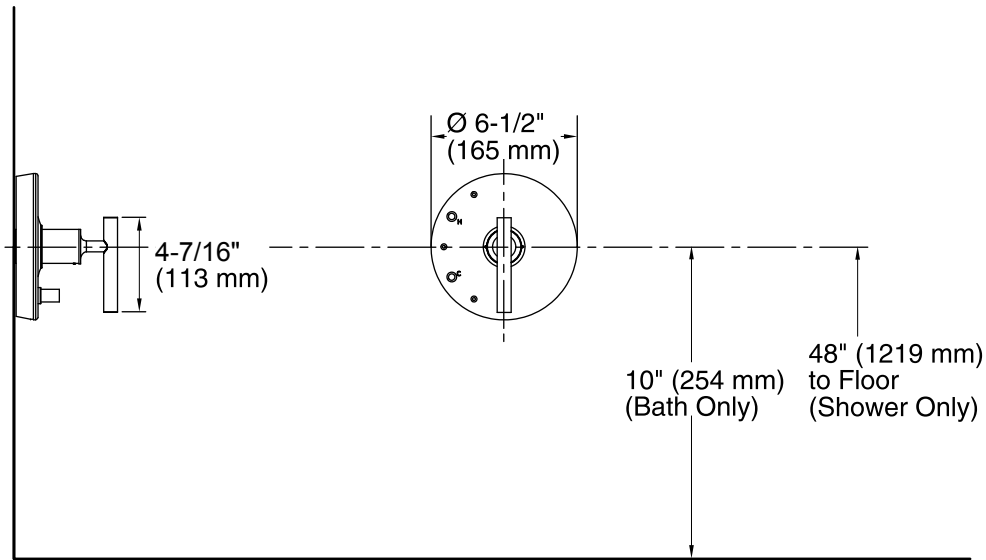
OBC

See website for detailed warranty information.

Available Color/Finishes

Color tiles intended for reference only.

Color	Code	Description
	CP	Polished Chrome
	BGD	Vibrant® Moderne Brushed Gold
	BN	Vibrant® Brushed Nickel
	BV	Vibrant® Brushed Bronze



Technical Information

All product dimensions are nominal.

Notes

Install this product according to the installation guide.

Cap the shower outlet if deck-mount spout, diverter, or handshower is connected to the spout outlet.

ADA, OBC, CSA B651 compliant when installed to the specific requirements of these regulations.