

Features

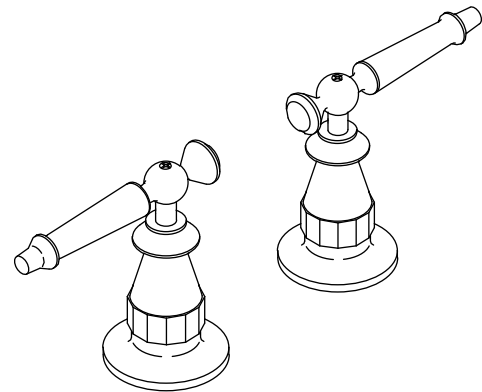
- Brass construction
- Bath- or deck-mount
- Variety of handle style options

**VALVE TRIM
K-T135
ALSO K-301-K**

Codes/Standards Applicable

Specified model meets or exceeds the following:

- ASME A112.18.1/CSA B125.1
- ADA
- ICC/ANSI A117.1






Colors/Finishes

- CP: Polished Chrome
- PB: Vibrant® Polished Brass
- Other: Refer to Price Book for additional colors/finishes

Accessories

- Other: Refer to Price Book for additional colors/finishes

Specified Model

Model	Description	 ADA	 ADA	
K-T135-3	With Six-Prong Handles	<input type="checkbox"/> CP <input type="checkbox"/> PB <input type="checkbox"/> Other ____		
K-T135-4	With Lever Handles		<input type="checkbox"/> CP <input type="checkbox"/> PB <input type="checkbox"/> Other ____	
Models with Ceramic trim required				
K-T135-3D	With Six-Prong Handles	<input type="checkbox"/> CP <input type="checkbox"/> PB <input type="checkbox"/> Other ____		
K-T135-4D	With Lever Handles		<input type="checkbox"/> CP <input type="checkbox"/> PB <input type="checkbox"/> Other ____	
K-T135-9B	With Oval Handles			<input type="checkbox"/> CP <input type="checkbox"/> PB <input type="checkbox"/> Other ____

Product Specification

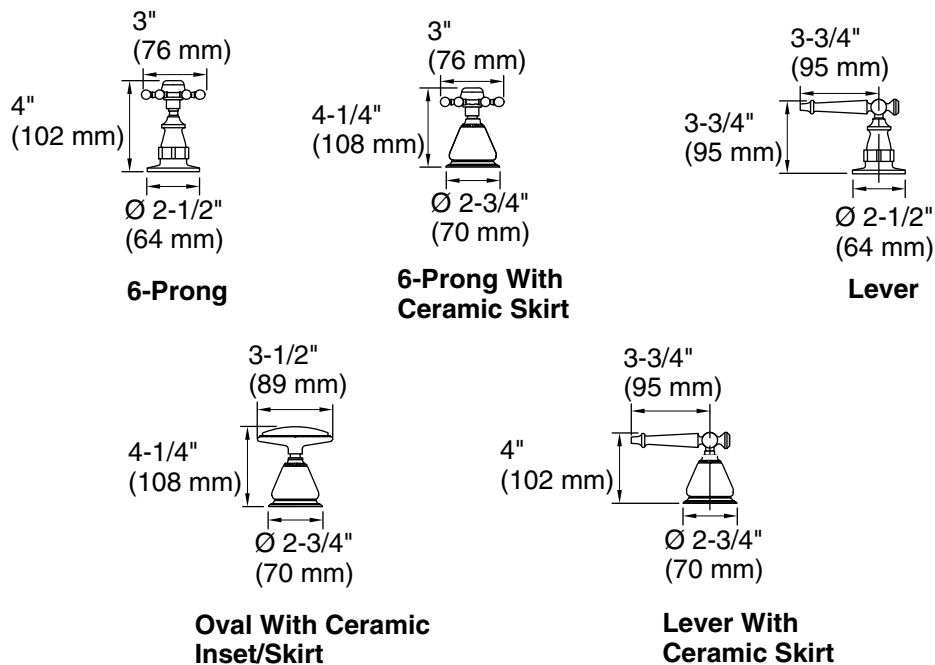
Two-handle bath or deck-mount high-flow valve trim shall be of brass construction. Valve trim includes handles and shall be Kohler Model K-T135-____-____ and ceramic trim, if required shall be Kohler Model K-____-____-NA. Valve system shall be K-301-K-NA.

ANTIQUETM

Required Ceramic Trim Accessories (For K-T135-3D, K-T135-4D, K-T135-9B)			
K-251	Ceramic skirts, pair (For K-T125-3-D, K-T125-4-D)	<input type="checkbox"/> Other ____	
K-260	Ceramic oval handle insets and skirts, pair (for K-T125-9B)		<input type="checkbox"/> Other ____
Optional Accessories			
K-9639	Large lever insert, Single	<input type="checkbox"/> CP	<input type="checkbox"/> PB
K-9659	Large lever insert, Single	<input type="checkbox"/> Other ____	
58598	Deep roughing-in kit for high-flow deck-mount bath faucets (all handles)	<input type="checkbox"/> CP	<input type="checkbox"/> Other ____

Installation Notes

Install this product according to the installation guide.



Product Diagram