

### Features

- Upgrade an existing installed DTV I primary interface (K-684) to the new DTV+ interface (K-99693)
- Kit includes cover plate and all required cables to convert the existing components to work with the new DTV+ system controller and interface, including a wiring connection adapter to utilize existing in-wall cables
- If installed, the auxiliary interface (K-686) must also be upgraded at the same time using the K-97171 Conversion kit.
- Note that DTV I landscape primary interfaces (K-683) cannot be upgraded to the new DTV+ interface

### Material

- Premium material construction for durability and reliability

### Installation

- The conversion kit cover plate attaches to the existing DTV I wall sleeve. The new DTV+ interface clips into the cover plate (DTV+ mounting bracket is not required)

### Required Accessories

K- 99693 Digital Interface  
K- 99695 System Controller Module

Loose component/s: Adaptor box, 6 ft RJ45 Extension cable, 30 ft DTV 6-port Valve harness, DTV+ Retrofit Interface cable, and suction cup.

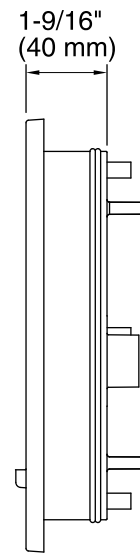
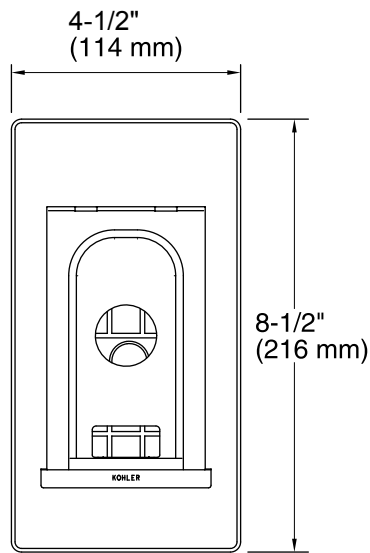
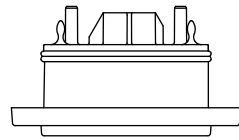


### Codes/Standards

UL 1951

### KOHLER® Electronic Faucets, Valves, and Controls - Five-Year Limited Warranty

See website for detailed warranty information.



### Technical Information

All product dimensions are nominal.

### Notes

Install this product according to the installation guide.