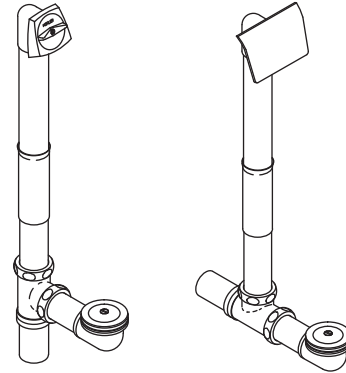


Features

- 17-gauge brass construction
- Brass tailpiece
- 1-1/2" NPT or 2" NPT connection
- Above-the-floor or through-the-floor installations
- Intended for use with Tea-For-Two® baths/bath whirlpools [K-7147-AF, K-7148-AF, K-7169-AF]

BATH DRAIN
K-7147-AF
ALSO K-7148, K-7167, K-7169-AF



K-7167

K-7169-AF
K-7147-AF
K-7148-AF

Codes/Standards Applicable

Specified model meets or exceeds the following:

- ASME A112.18.2/CSA B125.2

Colors/Finishes

- CP: Polished Chrome
- Other: Refer to Price Book for additional colors/finishes

Specified Model

Model	Description	Colors/Finishes	
K-7147-AF	Bath drain – for Tea-For-Two® 5.5' (1.7 m) baths/bath whirlpools with 24" (610 mm) depth*, 1-1/2" NPT connection	<input type="checkbox"/> CP	<input type="checkbox"/> Other_____
K-7148-AF	Bath drain – for Tea-For-Two 5.5' (1.7 m) bath whirlpools K-856-M and K-856-V with 23" (584 mm) depth*, 1-1/2" NPT connection	<input type="checkbox"/> CP	<input type="checkbox"/> Other_____
K-7167	Bath drain – for bath whirlpools with 23" (584 mm) to 25" (635 mm) depth*, 2" NPT connection	<input type="checkbox"/> CP	<input type="checkbox"/> Other_____
K-7169-AF	Bath drain – for Tea-For-Two 5' (1.5 m) with 18-1/4" (464 mm) depth* and 6' (1.8 m) baths/bath whirlpools with 20-7/8" (530 mm) depth, 1-1/2" NPT connection	<input type="checkbox"/> CP	<input type="checkbox"/> Other_____

*The depth dimension referenced is from the top of the bath rim to the base of the bath.

Product Specification

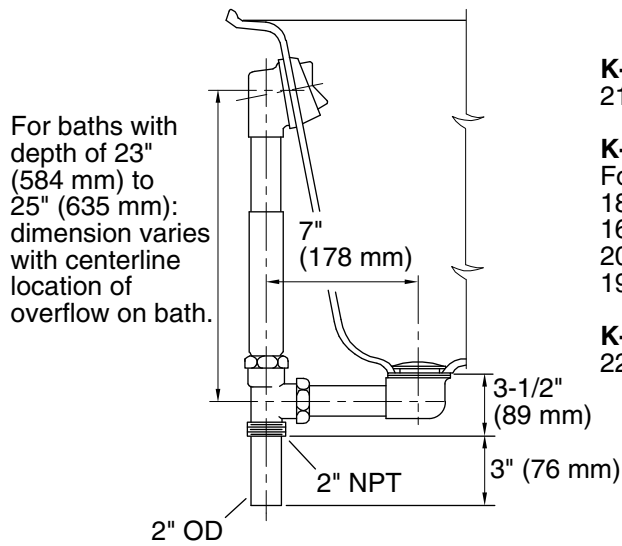
Bath drain shall be made of 17-gauge brass construction with a brass tailpiece. Product shall be for 1-1/2" NPT or 2" NPT connection. Product shall feature above-the floor or through-the-floor installations. Product shall be intended for use with Tea-For-Two® baths/bath whirlpools [K-7147-AF, K-7148-AF, K-7169-AF]. Bath drain shall be Kohler Model K-____-AF-____ or K-7167-_____.

CLEARFLO

Installation Notes

Install this product according to the installation guide.

NOTICE: The dimension from the centerline of the overflow to the centerline of the tee shown in the product diagram is for reference only. Dry fit the drain to the bath/bath whirlpool to obtain the exact dimension of the overflow ell.

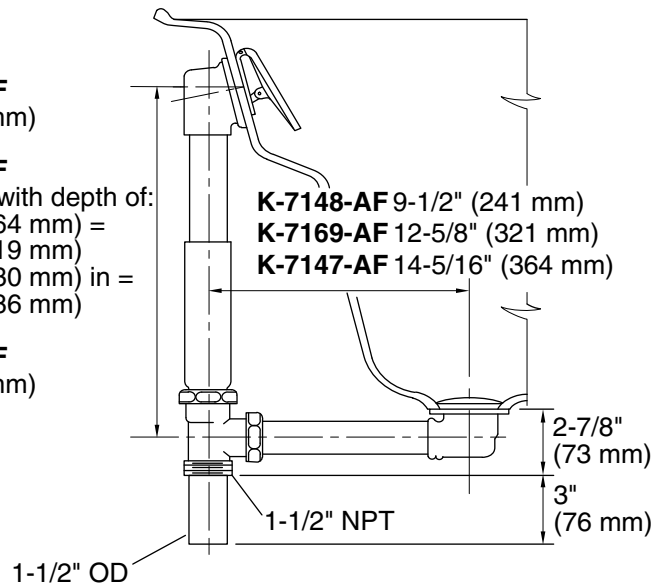


K-7167

K-7148-AF
21" (533 mm)

K-7169-AF
For baths with depth of:
18-1/4" (464 mm) =
16-1/2" (419 mm)
20-7/8" (530 mm) in =
19-1/8" (486 mm)

K-7147-AF
22" (559 mm)



K-7147-AF
K-7148-AF
K-7169-AF

Product Diagram