



## IV Georges Brass®

Trip Lever  
K-6822

### Features

- Solid-brass construction for durability.
- KOHLER finishes resist corrosion and tarnish.
- Coordinates with IV Georges Brass faucets and accessories.



ADA

### Codes/Standards

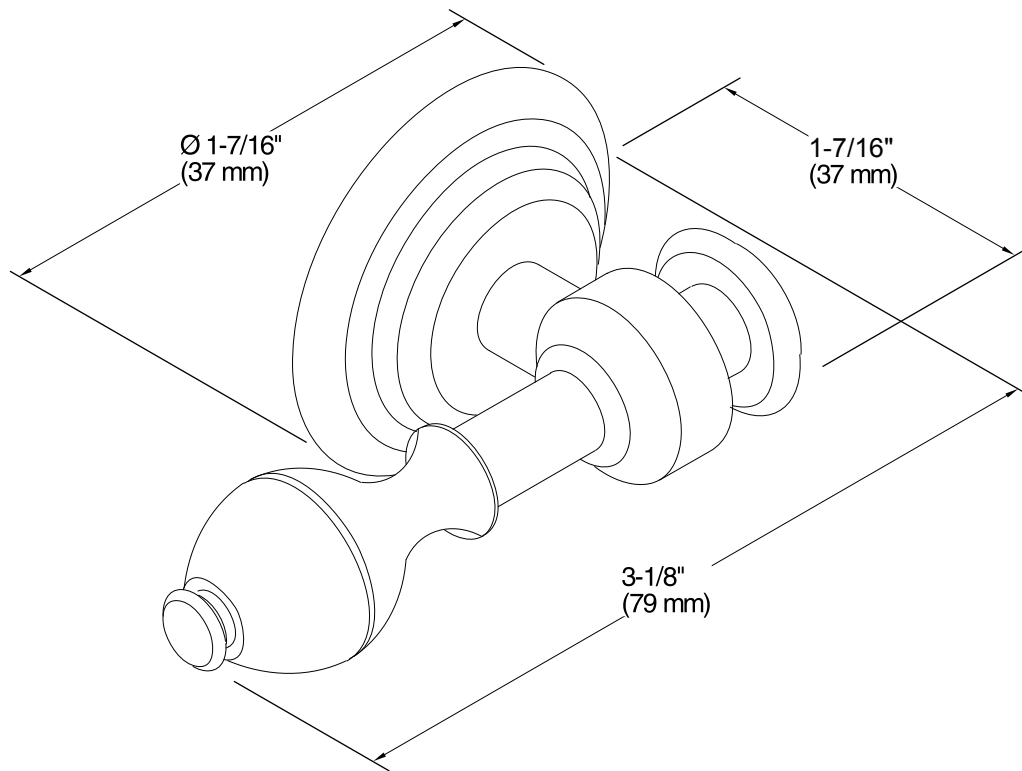
ASME A112.18.1/CSA B125.1

ADA

ICC/ANSI A117.1

### KOHLER® One-Year Limited Warranty

See website for detailed warranty information.



### Technical Information

All product dimensions are nominal.

### Notes

ADA compliant when installed to the specific requirements of these regulations.