

### Features

- Low profile design with easy clean water resistant casing
- Large, easy to read LCD display displays time and temperature
- Raised one touch buttons for simple and intuitive system control
- Provides independent control of up to three outlets
- Suitable for multi outlet shower or bath/shower applications
- Second interface can be added to each system for alternate locations and applications
- Adjustable default and high limit temperature settings
- System warm up and pause feature
- Duration/countdown timer feature

### Material

- Premium material construction for durability and reliability

### Installation

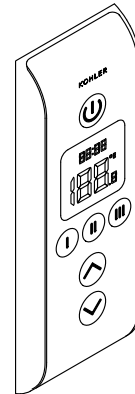
- Surface mount installation

### Required Accessories

K-559 Interface Mounting Bracket

K-557-K Digital Three Port Thermostatic Valve

Loose component/s: 20 ft Cable and adapter included.



### Codes/Standards

UL 1951





CSA C22.2 No. 14

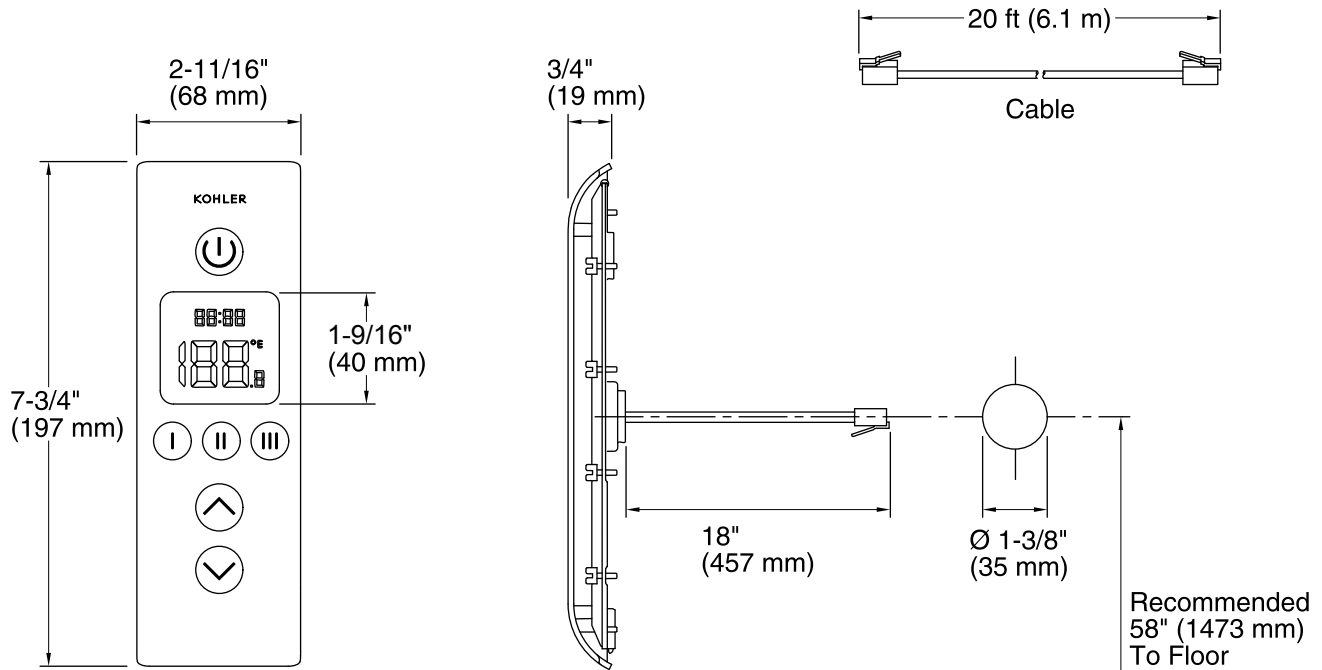
CSA C22.2 No. 68

See website for detailed warranty information.

### Available Color/Finishes

*Color tiles intended for reference only.*

Color	Code	Description
	1CP	Satin Chrome with Polished Chrome
	1SN	Satin Nickel with Polished Nickel
	0	White
	7	Black Black™



### Technical Information

All product dimensions are nominal.

### Notes

Install this product according to the installation guide.