

Features

- 36-inch minimum base cabinet width.
- Large/medium bowls.
- 9-inch depth.
- Self-Trimming apron overlaps the cabinet face for easy installation and beautiful results.
- No faucet holes.
- Smart Divide® features a lower bowl divider that increases workspace and versatility.
- SilentShield® sound-absorption technology offers quieter performance.
- Rear drain increases workspace in the sink and storage space underneath.
- Includes installation hardware and a bottom basin rack.

Material

- Handcrafted from 16-gauge stainless steel.

Installation

- Under-mount apron-front.

Optional Accessories

6477-ST

Components

Product includes:
K-6476

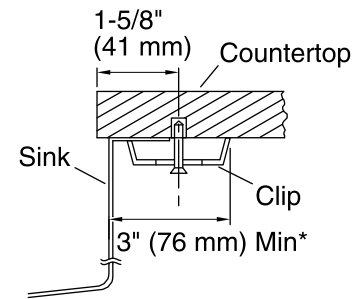
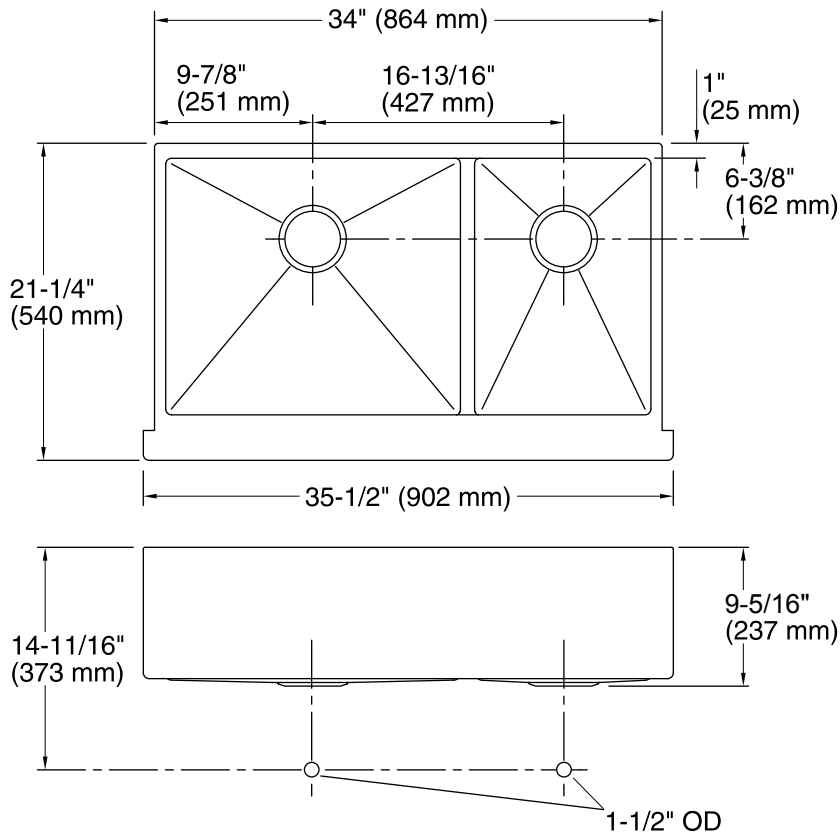


Codes/Standards

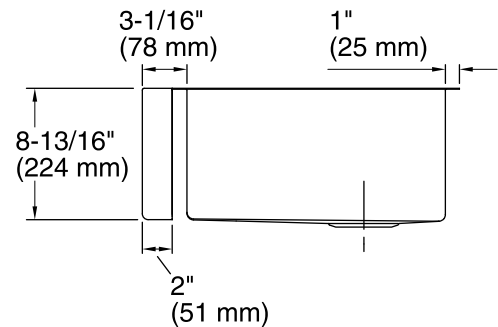
ASME A112.19.3/CSA B45.4

Lifetime Limited Warranty for KOHLER® Stainless Steel Sinks

See website for detailed warranty information.



* Allow clearance on back rim for clip attachment.



Technical Information

All product dimensions are nominal.

Bowl configuration:	Offset
Installation:	Under-mount
Bowl area (Left)	Length: 19-11/16" (500 mm) Width: 17-3/16" (437 mm) Bowl depth: 9" (229 mm) Water depth: 9" (229 mm)
Bowl area (Right)	Length: 11-11/16" (297 mm) Width: 17-3/16" (437 mm) Bowl depth: 9" (229 mm) Water depth: 9" (229 mm)
Drain hole:	3-3/4" (94 mm)
Template:	Apron Front, 1224194-7, required, included

Notes

Install this product according to the installation instructions.

Allow a minimum of 3" (76 mm) clearance around the sink rim for clip attachment.

The 3/4" (19 mm) side rim flanges are supported without using the clip attachment. See the installation guide for further instructions.