

**Features**

- 36-inch minimum base cabinet width.
- Single bowl.
- 9-inch depth.
- Self-Trimming apron overlaps the cabinet face for easy installation and beautiful results.
- No faucet holes.
- Rear drain increases workspace in the sink and allows for more storage space underneath the sink.
- SilentShield® sound-absorption technology offers quieter performance.
- Includes installation hardware and a bottom basin rack.

**Material**

- Handcrafted from 16-gauge stainless steel.

**Installation**

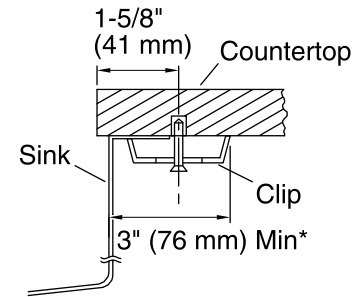
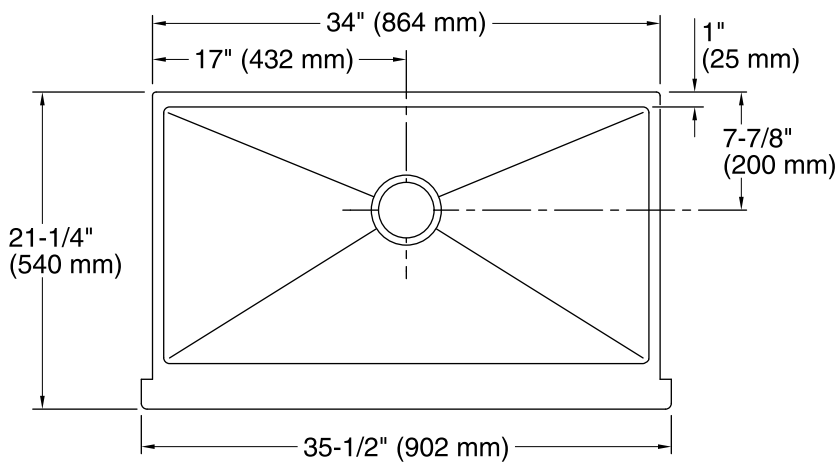
- Under-mount

**Codes/Standards**

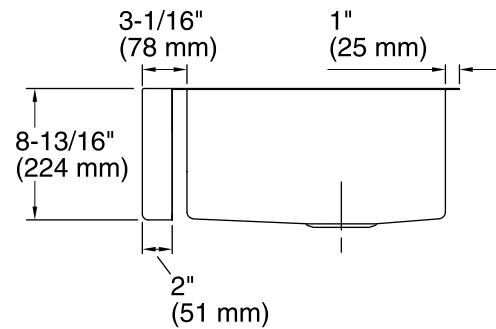
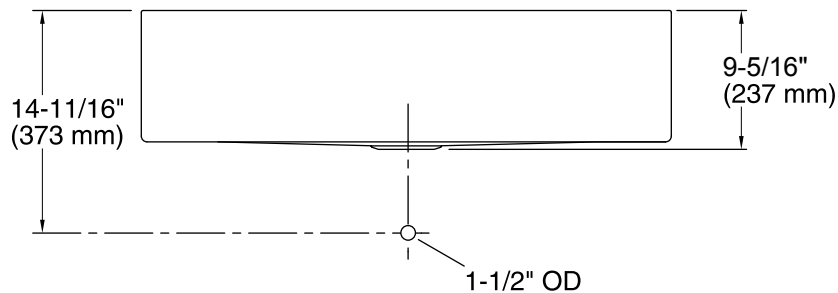
ASME A112.19.3/CSA B45.4

**Lifetime Limited Warranty for  
KOHLER® Stainless Steel Sinks**

See website for detailed warranty information.



\* Allow clearance on back rim for clip attachment.



### Technical Information

All product dimensions are nominal.

Bowl configuration:	Single
Installation:	Under-mount
Min. base cabinet width:	36" (914 mm)
Bowl area	Length: 32-1/2" (826 mm) Width: 17-3/16" (437 mm) Bowl depth: 9" (229 mm) Water depth: 9" (229 mm)
Drain hole:	3-3/4" (94 mm)
Template:	Apron Front, 1224194-7, required, included

### Notes

- Install this product according to the installation instructions.
- Allow a minimum of 3" (76 mm) clearance for the back 1" (25 mm) sink rim flange for clip attachment.
- The 3/4" (19 mm) side rim flanges are supported without using the clip attachment. See the installation guide for further instructions.