

### Features

- Solid polypropylene plastic.
- Elongated closed-front seat.
- Polished Chrome hinges.
- Ergonomic lid for easy opening.
- Ergonomically contoured seat and lid for user comfort.



### Codes/Standards




IAPMO/ANSI Z124.5

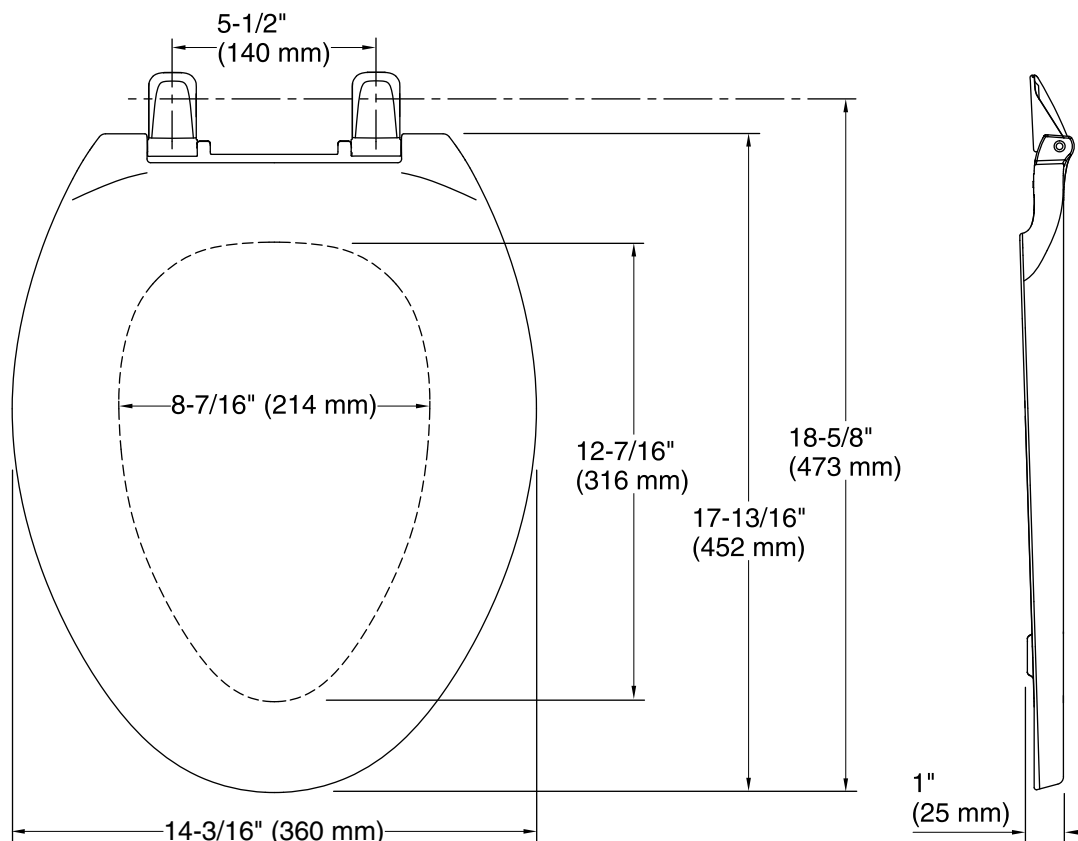
### KOHLER® One-Year Limited Warranty

See website for detailed warranty information.

### Available Color/Finishes

*Color tiles intended for reference only.*

Color	Code	Description
	0	White
	96	Biscuit
	47	Almond



#### Technical Information

All product dimensions are nominal.

Seat shape type: Elongated

Seat front type: Closed front

Seat-mounting holes: 5-1/2" (140 mm)

#### Notes

Install this product according to the installation guide.