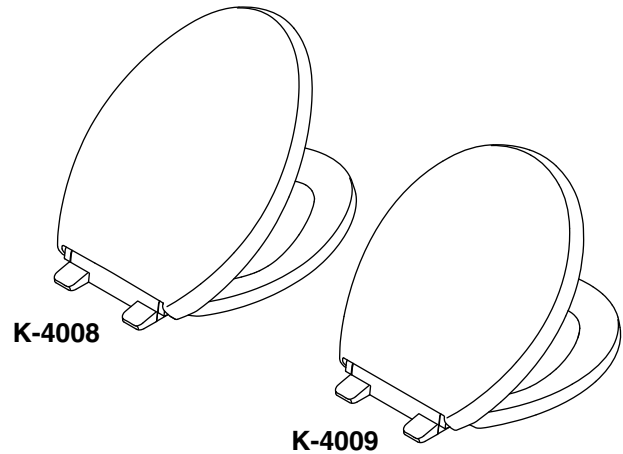


TOILET SEAT
K-4008
ALSO K-4009

Features

- Solid polypropylene plastic
- Closed-front
- Contoured seat for user comfort
- Quiet-Close™ lid and ring prevents slamming
- Quick-Release™ hinge caps snap open and seat pulls forward for removal
- Quick-Attach™ stainless steel fastener allows for top-mount screwdriver only installation
- Elegant lid design for a clean and sleek aesthetic
- Grip-Tight bumpers hold seat firmly in place



Codes/Standards Applicable

Specified model meets or exceeds the following:

- ANSI Z124.5

Colors/Finishes

- 0: White
- Other: Refer to Price Book for additional colors/finishes

Specified Model

Model	Description	Colors/Finishes	
K-4008	Toilet seat – elongated closed-front	<input type="checkbox"/> 0	<input type="checkbox"/> Other _____
K-4009	Toilet seat – round closed-front	<input type="checkbox"/> 0	<input type="checkbox"/> Other _____

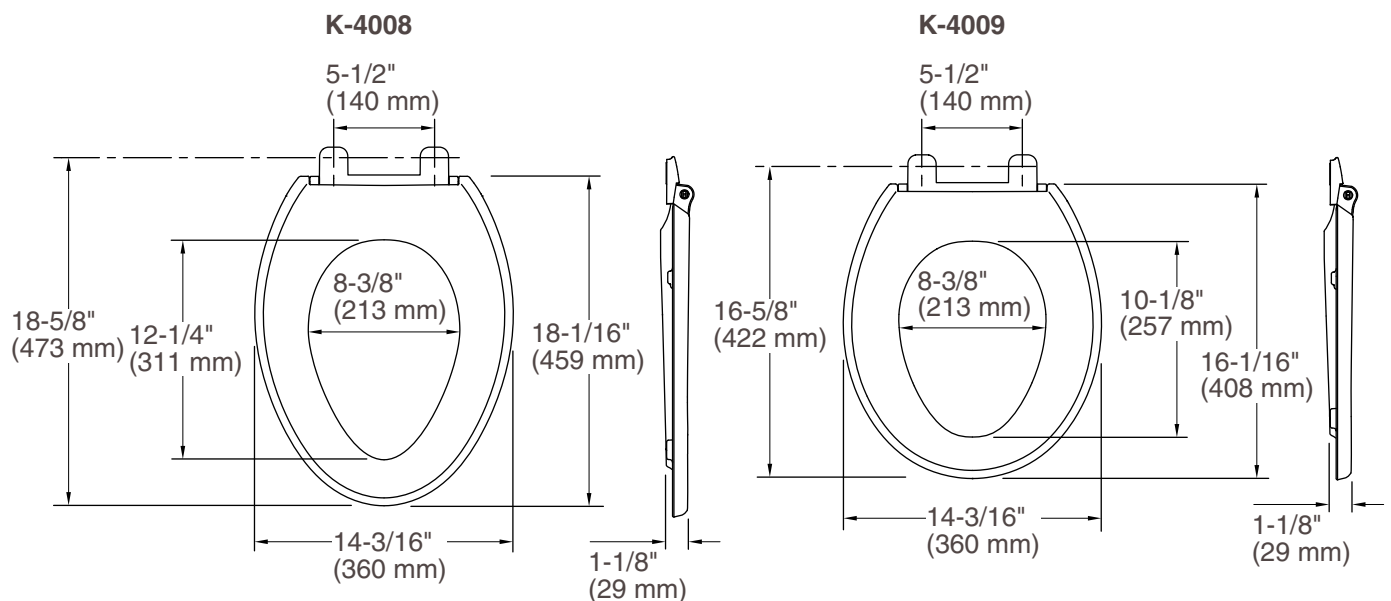
Product Specification

The toilet seat shall be made of solid polypropylene plastic. Product shall be available with closed-front and shall have Quiet-Close™ lid and ring that prevents slamming. Product shall have Quick-Release™ hinge caps that snap open to pull seat forward for removal. Product shall have Quick-Attach™ stainless steel fastener, which allows for top-mount screwdriver only installation. Product shall have elegant lid design for a clean and sleek aesthetic. Product shall have contoured seat for user comfort and grip-tight bumpers that hold seat firmly in place. The toilet seat shall be Kohler Model K-____-____.

GRIP-TIGHT REVEAL™ Q3™

Installation Notes

Install this product according to the installation guide.



Product Diagram