

Features

- For baths 21" (533 mm) to 26" (660 mm) deep from the center of the bath overflow outlet to the center of the bath drain outlet.
- 45" (1143 mm) length external cable.
- Flexible overflow joint conforms to various bath angles.
- No internal linkages to minimize the potential for clogging.
- For use with any PureFlo rotary or push hand controls and pop-up drain stopper kit (sold separately).
- Less horizontal PVC tube and tee.

Material

- Metal construction control handle and stopper.

Installation

- Above- or through-the-floor installation offers installation flexibility.
- Flexible overflow neck for easy installation to fit various bath angles.

Required Accessories

- K-T37391 Bath Cable Drain Trim
- or
- K-T37392 Bath Cable Drain Trim
- or
- K-T37393 Bath Cable Drain Trim
- or
- K-T37394 Bath Cable Drain Trim
- or
- K-T37395 Bath Cable Drain Trim
- or
- K-T37396 Bath Cable Drain Trim
- or
- K-T37397 Cable Bath Drain Trim

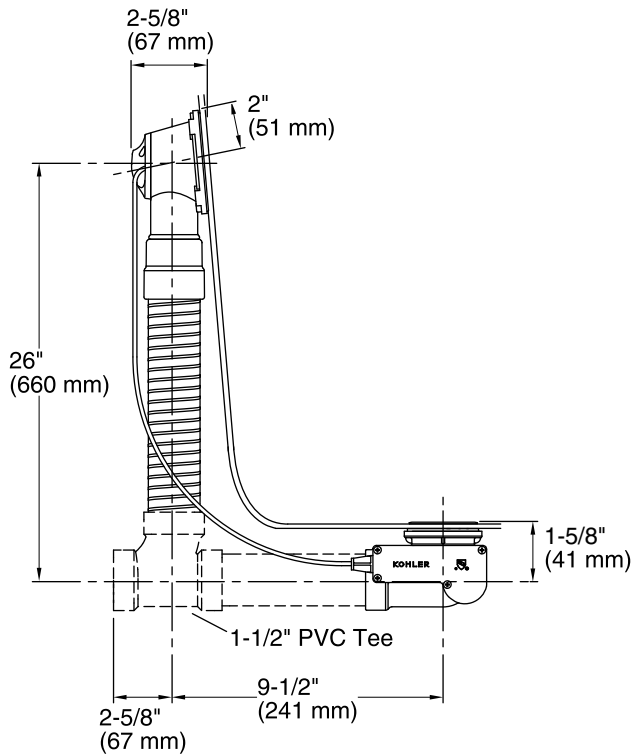


Codes/Standards

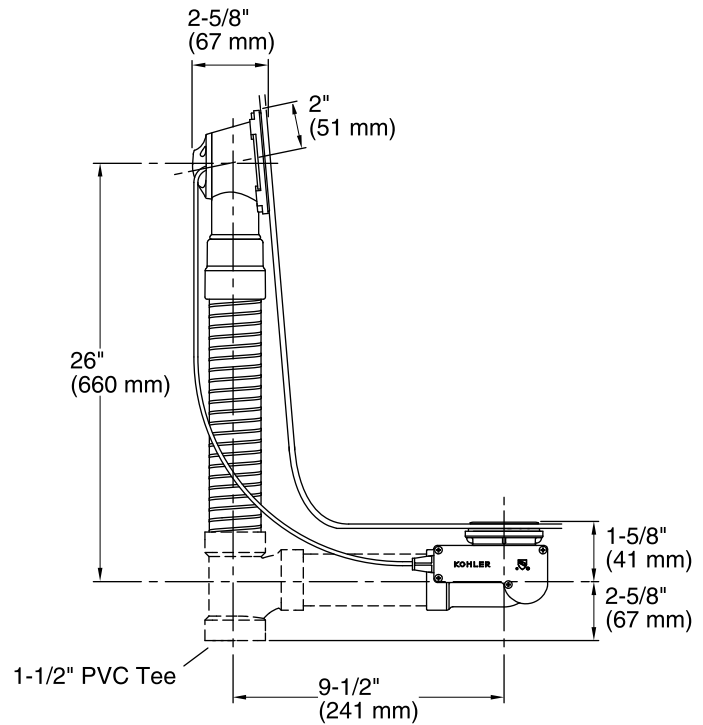
ASME A112.18.2/CSA B125.2

KOHLER® Faucet Lifetime Limited Warranty

See website for detailed warranty information.



Above-the-Floor



Through-the-Floor

Technical Information

All product dimensions are nominal.

Notes

Install this product according to the installation guide.

The combined length of the vertical tubing (supplied) and horizontal tubing (not supplied) after being cut for the bath installation must be equal to or less than 40" (1016 mm) for 45" (1143 mm) cable bath drain.