

## Features

- 4" (102 mm) centers.
- 20" (508 mm) x 18" (457 mm)

## Material

- Vitreous china.

## Installation

- Wall-mount
- Drilled for concealed arm carrier.

## Recommended Accessories

K-8998 P-Trap

## Components

Additional included component/s: Hanger (2 Required).



ADA

CSA B651

OBC

## Codes/Standards

ASME A112.19.2/CSA B45.1

All applicable US Federal and State material regulations

ADA

ICC/ANSI A117.1

CSA B651

OBC


## KOHLER® One-Year Limited Warranty

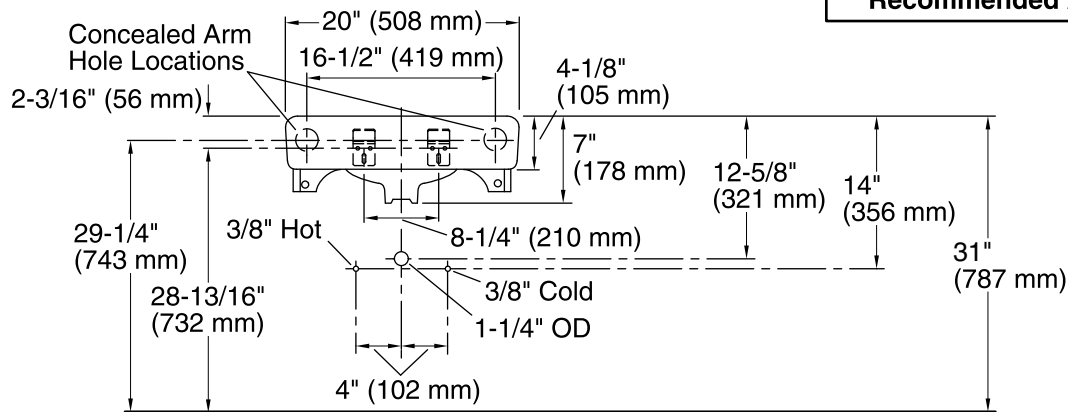
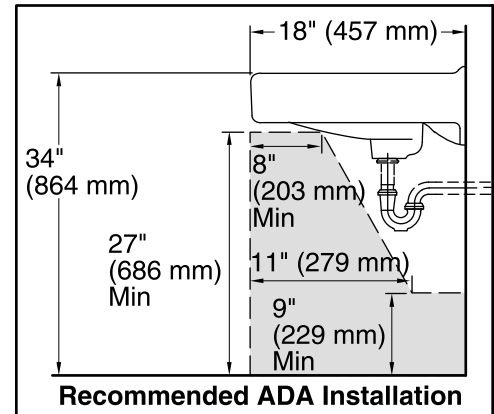
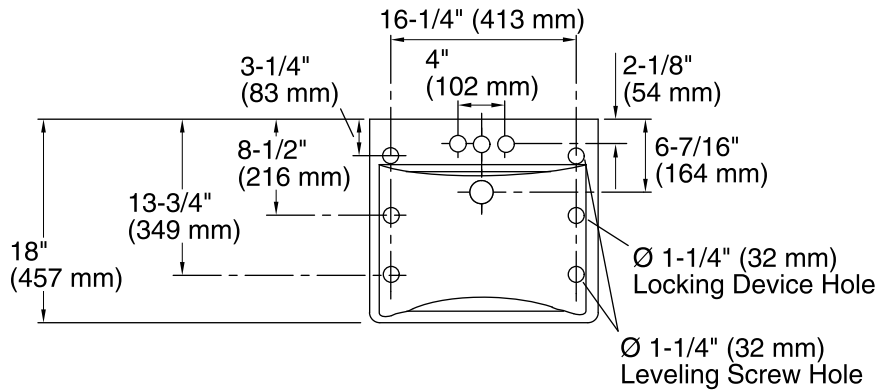
See website for detailed warranty information.

## Available Color/Finishes

*Color tiles intended for reference only.*

Color	Code	Description
-------	------	-------------

	0	White
--------------------------------------------------------------------------------------	---	-------



**Standard Installation**

## Technical Information

All product dimensions are nominal.

Bowl configuration:	Single
Installation:	Wall-mount
Bowl area (Center)	Length: 18" (457 mm) Width: 13" (330 mm) With overflow: Yes Water depth: 4-7/8" (124 mm)
Bowl area	With overflow: Yes
Number of deck holes:	3
Faucet hole(s):	1-3/8" (35 mm)
Soap/Lotion hole:	1-1/4" (32 mm)
Drain hole:	1-3/4" (44 mm)

## Notes

Install this product according to the installation instructions.

ADA, OBC, CSA B651 compliant when installed to the specific requirements of these regulations.