

Features

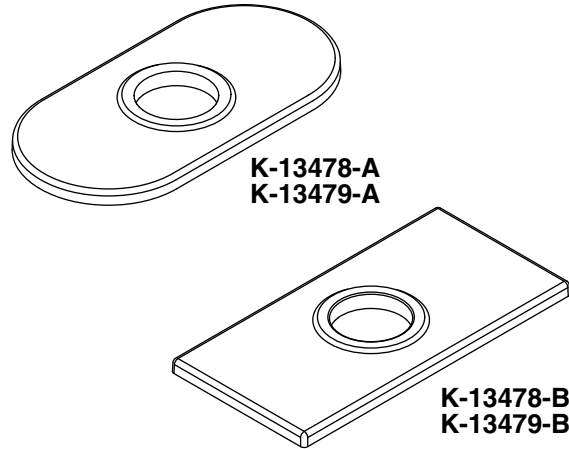
- Brass construction
- For three-hole installations
- For use with Insight™ deck-mount faucets

Codes/Standards Applicable

Specified model meets or exceeds the following:

- ASME A112.18.1/CSA B125.1

ESCUTCHEON PLATE
K-13478
ALSO K-13479



Colors/Finishes

- CP: Polished Chrome
- Other: Refer to Price Book for additional colors/finishes

Specified Model

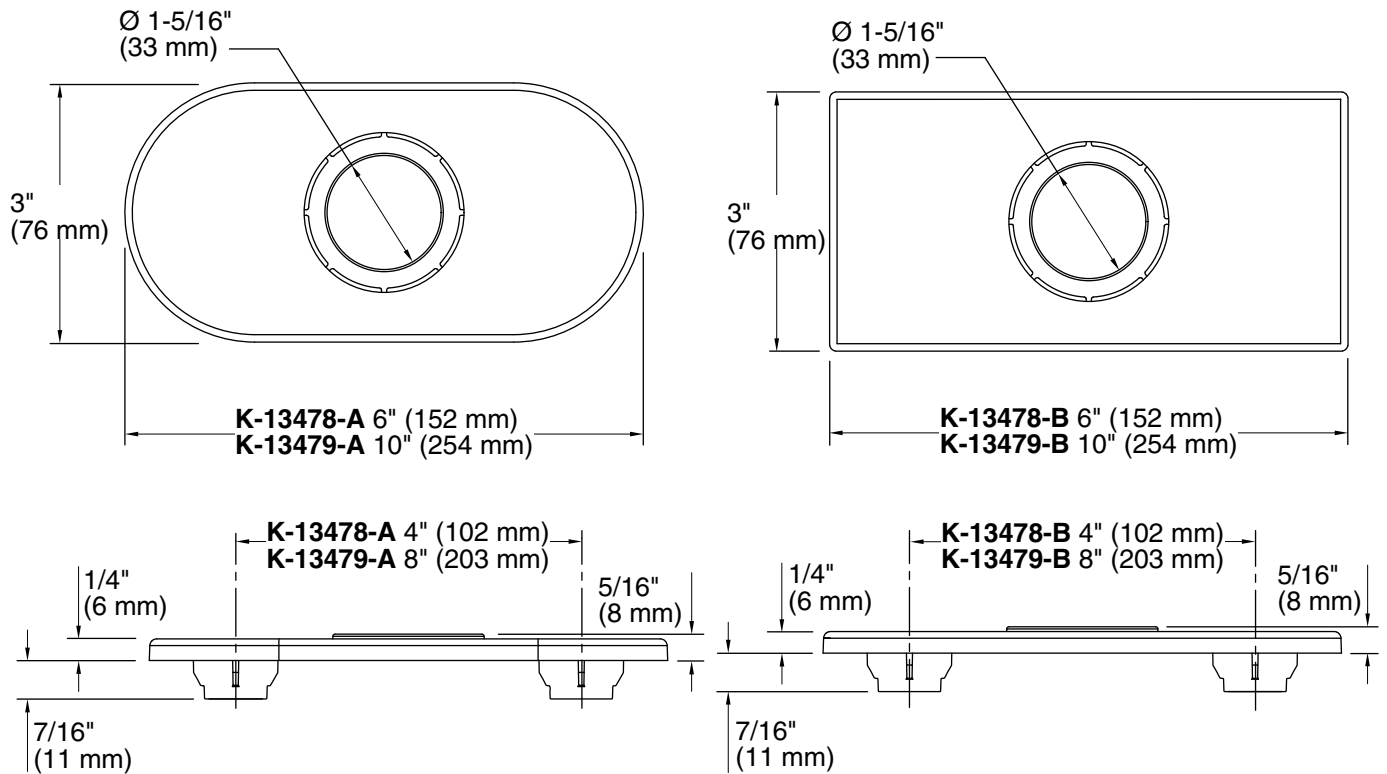
Model	Description	Size	Colors/Finishes	
K-13478-A	Escutcheon plate, round	4" (102 mm)	<input type="checkbox"/> CP	<input type="checkbox"/> Other ____
K-13478-B	Escutcheon plate, square	4" (102 mm)	<input type="checkbox"/> CP	<input type="checkbox"/> Other ____
K-13479-A	Escutcheon plate, round	8" (203 mm)	<input type="checkbox"/> CP	<input type="checkbox"/> Other ____
K-13479-B	Escutcheon plate, square	8" (203 mm)	<input type="checkbox"/> CP	<input type="checkbox"/> Other ____

Product Specification

Escutcheon plate shall be of brass construction. Plate shall be for three-hole installations. Plate shall be for use with Insight deck-mount faucets. Escutcheon plate shall be Kohler Model K-_____-_____-_____.

Installation Notes

Install this product according to the installation guide.



Product Diagram