

### Features

- Powered by the 30-year hybrid energy system.
- Required for Purist® and Falling Water® wall-mount Touchless faucets.
- 0.5 gal/min (1.9 l/min) flow rate.
- 30 second maximum cycle time.
- Ideal for use with KOHLER Vessels.
- Low-lead (SDWA) compliant

### Material

- Brass construction.

### Technology

- Insight™ adaptive infrared technology.
- Includes one 3.6V size C Hybrid energy cell.

### Installation

- Adjustable sensor/spout distance.
- Easy installation. Hybrid battery powered. It does not require AC connection.



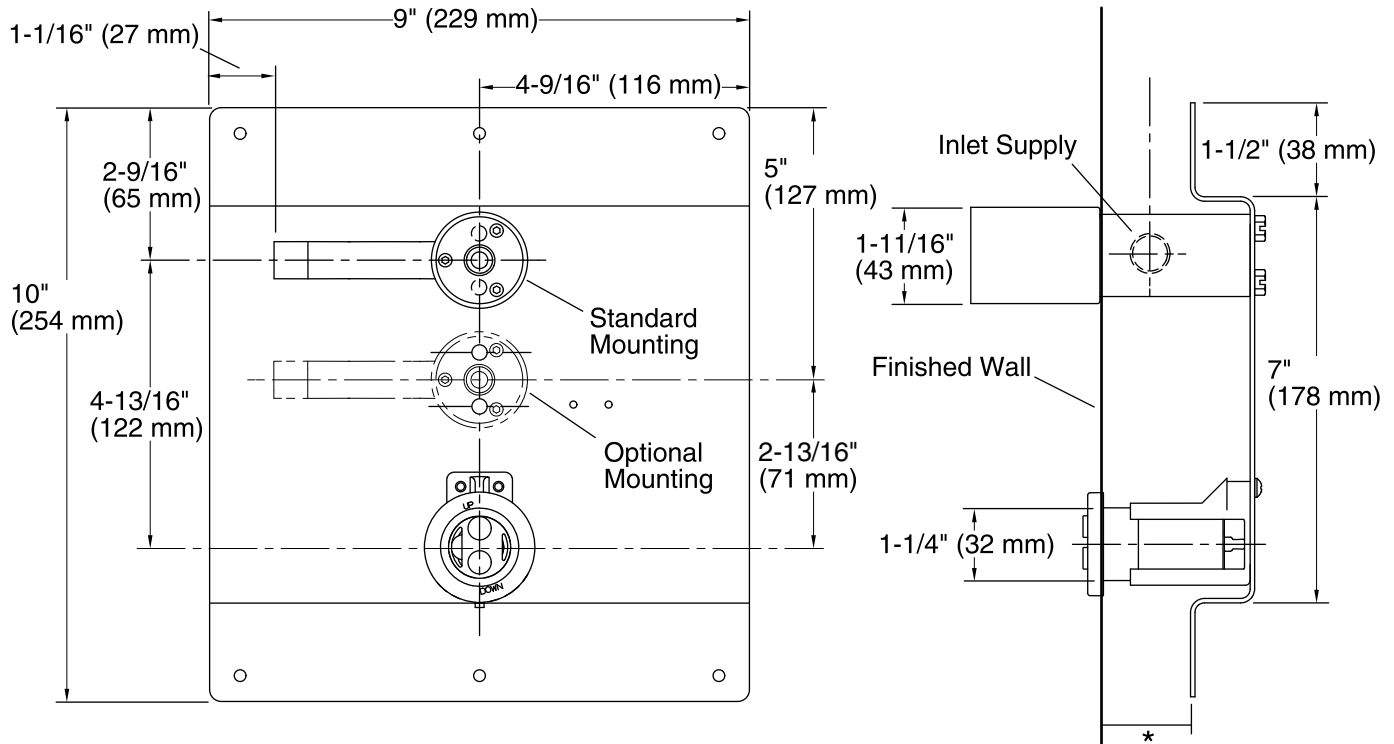
ADA

### Codes/Standards

ASME A112.18.1/CSA B125.1  
NSF 372  
ADA  
ICC/ANSI A117.1

### KOHLER® Faucet Lifetime Limited Warranty

See website for detailed warranty information.



\*Roughing-in range varies depending on faucet trim. Consult the faucet trim specification sheet for dimensions.

### Technical Information

All product dimensions are nominal.

Valve body: Cast Brass

### Faucet:

Flow rate: 0.5 gal/min (1.9 l/min)

Pressure: 45 psi (3.1 bar)

Power source: 3.6V Size C (Hybrid Energy Cell), included

### Notes

Install this product according to the installation guide.

Reference the installation instructions for specific framing information.

Standard mounting for use with faucet trim: K-T11836, K-T11839, K-T11840, and K-T11841.

Standard or Optional mounting for use with faucet trim: K-T11837 and K-T11838.

ADA compliant when installed to the specific requirements of these regulations.