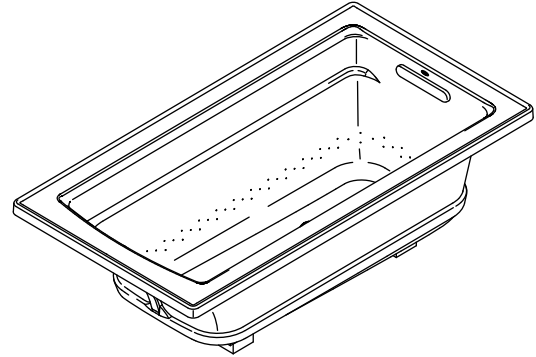


### Features

- Acrylic
- Blower motor with 300 W heater, and electronic user control
- Blower motor is supplied with a grounding-type plug-in cord
- 120 BubbleMassage™ airjets
- Drop-in
- Slotted overflow for maximum bathing depth
- Low threshold height
- Integral lumbar support
- Armrests
- 60" (1524 mm) x 32" (813 mm) x 19" (483 mm)

### 5' BUBBLEMASSAGE™ BATH WITH AIRJETS K-1122-G

ADA



### Codes/Standards Applicable

Specified model meets or exceeds the following:

- ADA
- CSA B45.5/IAPMO Z124
- IAPMO IGC 171
- ASTM E162
- ASTM E662
- UL 1795

### Colors/Finishes

- 0: White
- Other: Refer to Price Book for additional colors/finishes

### Accessories

- CP: Polished Chrome
- NA: None applicable
- Other: Refer to Price Book for additional colors/finishes

### Specified Model

Model	Description	Colors/Finishes	
K-1122-G	Drop-in rim style	<input type="checkbox"/> 0	<input type="checkbox"/> Other_____
<b>Required Accessories</b>			
K-7271	Clearflo slotted overflow brass bath drain <b>OR</b>	<input type="checkbox"/> CP	<input type="checkbox"/> Other_____
K-7272	Clearflo slotted overflow bath drain – PVC pipe	<input type="checkbox"/> CP	<input type="checkbox"/> Other_____
<b>Recommended Accessories</b>			
K-1446	Remote blower/motor installation kit	NA	

### Product Specification

The drop-in acrylic bath with airjets shall be 60" (1524 mm) in length, 32" (813 mm) in width, and 19" (483 mm) in height. Bath shall have a blower motor with 300 W heater, and an electronic user control. The blower motor shall have a grounding-type plug-in cord. Bath shall have 120 BubbleMassage airjets. Bath shall have slotted overflow for maximum bathing depth and low threshold height. Bath shall have an integral lumbar support and armrests. The bath with airjets shall be Kohler Model K-1122-G-\_\_\_\_\_.

# ARCHER™

## Technical Information

Fixture*:				
Bathing well:				
Basin area, bottom	45-1/8" (1146 mm) x 19-11/16" (500 mm)			
Basin area, top	52-3/4" (1340 mm) x 25-5/16" (643 mm)			
Weight	84 lbs (38.1 kg)			
To overflow:				
Water depth	15" (381 mm)			
Capacity	58 gal (219.5 L)			
* Approximate measurements for comparison only.				
Drop-in cutout		58-1/2" (1486 mm) x 30-1/2" (775 mm)		
Blower motor:	Heater	V	Hz	A
	300 W	120	60	5

## Required Electrical Service

Dedicated circuit required, protected with Class A Ground-Fault Circuit-Interrupter (GFCI):	
Blower motor:	120 V, 15 A, 60 Hz
Blower motor is supplied with a 24" (610 mm) grounding-type plug-in cord.	

## Installation Notes

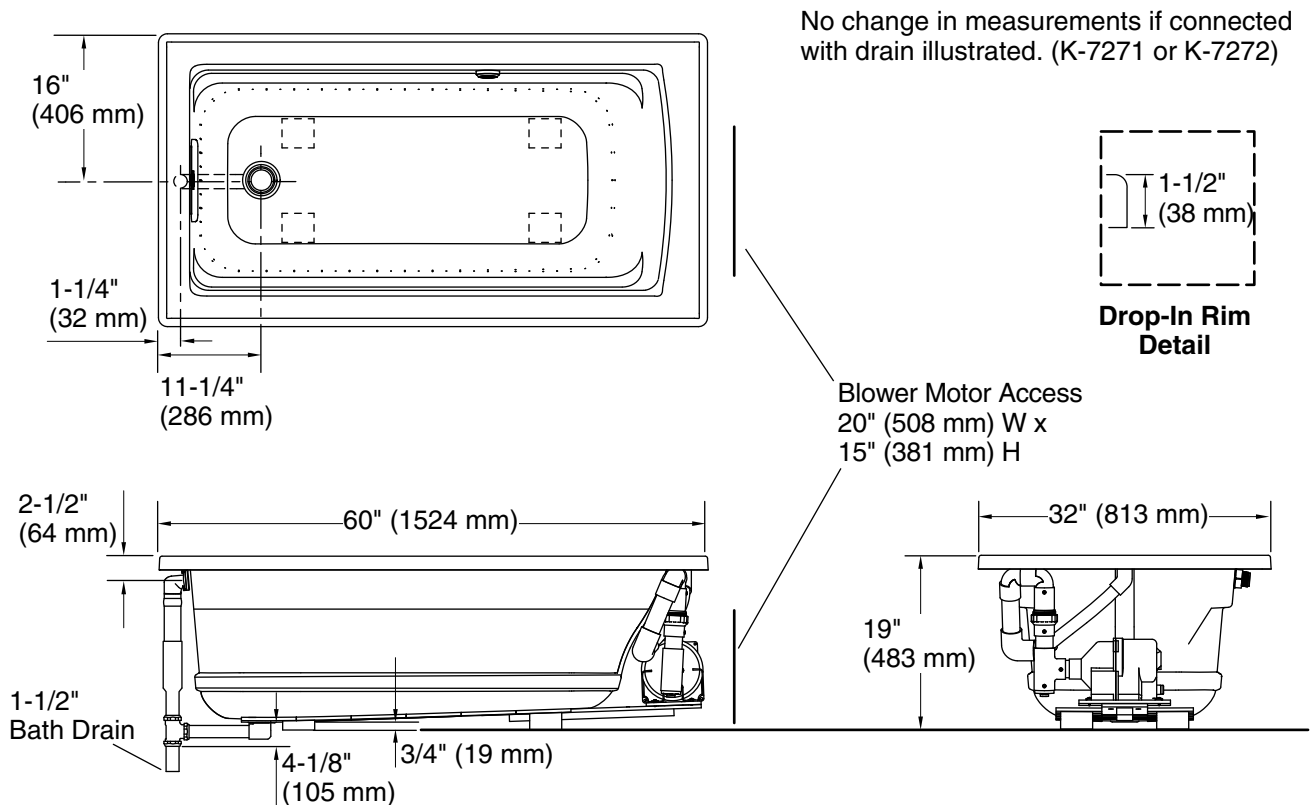
Install this product according to the installation guide.

Floor support under this product must provide for a minimum of 45 lbs/square foot (218 kg/square meter) loading.

The hot water supply should be 70% of the capacity of the bath or greater. Installations will vary.

This product is designed for a drop-in installation only. It is not suited for use in a three-wall alcove with an overhead shower.

Will comply with **ADA** when installed per Section 607 Bathtubs of the Act.



## Product Diagram