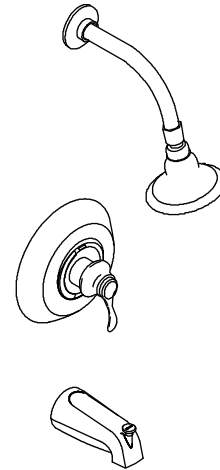


Features

- Metal construction
- Brass valve bodies
- Rite-Temp® pressure-balancing diaphragm design
- High-temperature limit setting for added safety
- Pressure-balancing mechanism of one-piece diaphragm cartridge design for ease of maintenance
- Mixing valve cycles from "cold" to "hot"
- Lever handle
- Intended for use with Rite-Temp® or HiFlow Rite-Temp® valves

BATH & SHOWER TRIM SET K-12007 ALSO K-T12007, K-12014, K-T12014



Codes/Standards Applicable

Specified model meets or exceeds the following:

- ASME A112.18.1/CSA B125.1
- ASSE 1016

Colors/Finishes

- CP: Polished Chrome
- PB: Polished Brass
- Other: Refer to Price Book for additional colors/finishes

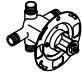

Specified Model


COMPLETE FAUCET: Faucet trim and Rite-Temp valve included.				
Model	Description	Colors/Finishes		
K-12007-4S	Bath and shower faucet, with slip-fit diverter bath spout	<input type="checkbox"/> CP	<input type="checkbox"/> PB	<input type="checkbox"/> Other___
K-12014-4	Shower faucet	<input type="checkbox"/> CP	<input type="checkbox"/> PB	<input type="checkbox"/> Other___
SEPARATE TRIM AND RITE-TEMP VALVE: For complete faucet, both faucet trim and Rite-Temp valve must be specified.				
Model	Description	Colors/Finishes		
K-T12007-4	Bath and shower faucet trim, with NPT diverter bath spout	<input type="checkbox"/> CP	<input type="checkbox"/> PB	<input type="checkbox"/> Other___
K-T12007-4S	Bath and shower faucet trim, with slip-fit diverter bath spout	<input type="checkbox"/> CP	<input type="checkbox"/> PB	<input type="checkbox"/> Other___
K-T12014-4	Shower trim set	<input type="checkbox"/> CP	<input type="checkbox"/> PB	<input type="checkbox"/> Other___
K-T12021-4	Valve only trim	<input type="checkbox"/> CP	<input type="checkbox"/> PB	<input type="checkbox"/> Other___

Product Specification

The Rite-Temp pressure-balancing single-handle bath & shower trim set shall be made of metal construction with a brass valve body. The valve shall mix the water from "cold" to the "hot", and includes a high-temperature limit setting for added safety. The pressure-balancing mechanism shall be of one-piece diaphragm cartridge design for ease of maintenance. Product shall include showerhead with arm and flange, faceplate with handle, and 4-7/8" (124 mm) diverter spout with NPT or slip-fit connection. Shower only faucet shall include showerhead with arm and flange, and faceplate with handle. Valve only trim shall include faceplate with handle. Complete faucet shall be Kohler Model K-____-____-____ OR separate trim and valve shall be Kohler Model K-T____-____-____ with K-304-____-NA Rite-Temp valve OR K-2971-KS-NA HiFlow Rite-Temp valve.

FAIRFAX®

Required Accessories (For K-T12007, K-T12014, and K-T12021 Only)			
K-304-*	Rite-Temp® valve OR	<input type="checkbox"/> NA	
K-2971-KS	HiFlow Rite-Temp valve with stops		<input type="checkbox"/> NA
* For a complete listing of all the Rite-Temp valves, refer to the K-304-* Specification Sheet or Roughing-In sheet.			

Optional Accessories					
K-12002	Plug Button Set	<input type="checkbox"/> Other _____			
88526	HiFlow Rite-Temp Thin Wall Installation Kit		<input type="checkbox"/> CP	<input type="checkbox"/> PB	<input type="checkbox"/> Other _____

Installation Notes

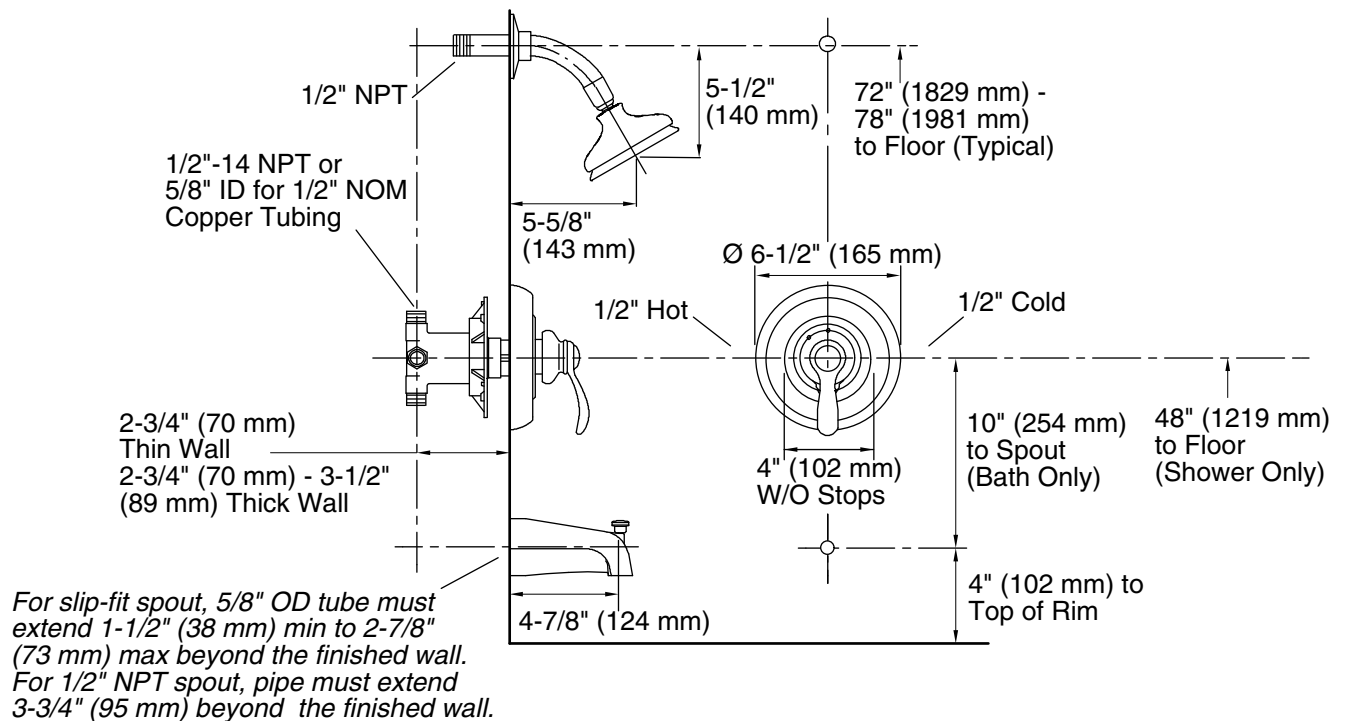
Install this product according to the installation guide.

NOTICE: Risk of product damage. Long screws, for installing trim, can damage the K-2971-KS valve. Consult the trim installation guide to verify if the thin wall installation kit (88526) is needed.

Avoid cross-flow conditions. Do not install shut-off device on either valve outlet.

Cap shower outlet if deck-mount spout, diverter, or handshower is connected to spout outlet.

Install straight pipe or tube drop of 7" (178 mm) to 18" (457 mm) with single elbow between valve and wall-mount spout.



Product Diagram