

## Features

- Brass construction
- Includes bent tube (pair) with escutcheon and support bracket [K-101]
- Allows wall-mount installation of K-16210-4A, K-110-3, K-110-4 and K-110-9B bath faucets [K-101]
- Allows wall-mount installation of a bath faucet handshower [K-6525]

## Codes/Standards Applicable

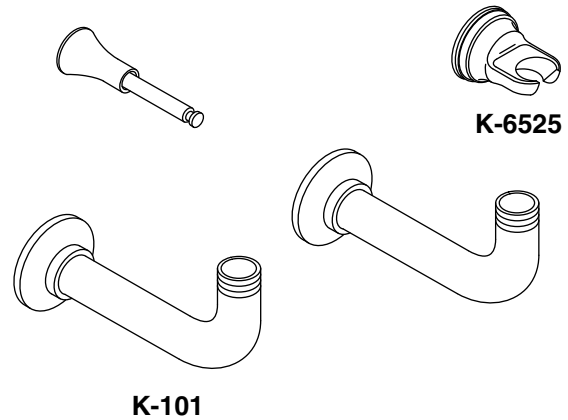
Specified model meets or exceeds the following:

- ASME A112.18.1/CSA B125.1

## WALL-MOUNT ADAPTER KIT AND HANDSHOWER HOLDER

# K-101

ALSO K-6525



## Colors/Finishes

- CP: Polished Chrome
- PB: Vibrant® Polished Brass
- Other: Refer to Price Book for additional colors/finishes

## Specified Model

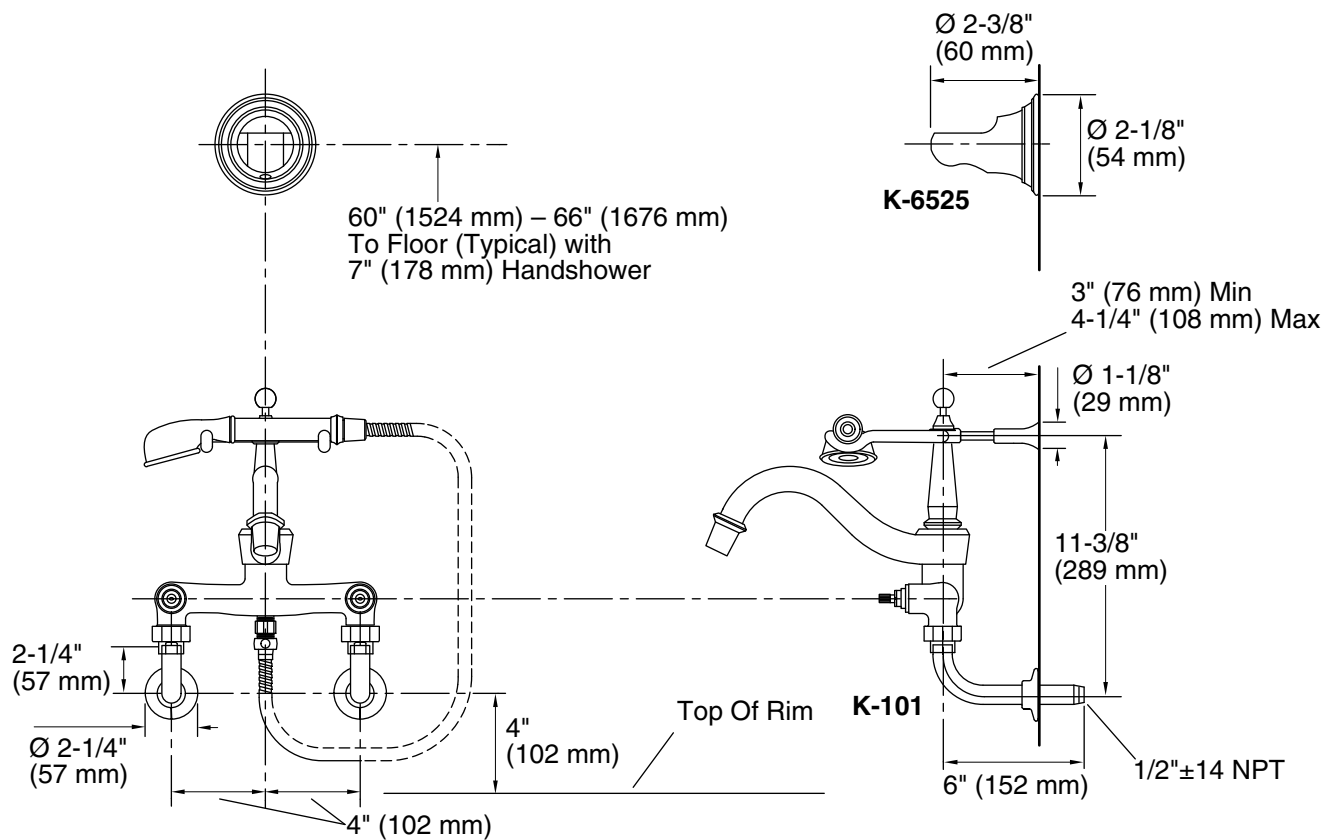
Model	Description	Colors/Finishes		
K-101	Wall-mount adapter kit	<input type="checkbox"/> CP	<input type="checkbox"/> PB	<input type="checkbox"/> Other ____
K-6525	Wall-mount handshower holder	<input type="checkbox"/> CP	<input type="checkbox"/> PB	<input type="checkbox"/> Other ____

## Product Specification

The wall-mount adapter kit and handshower holder shall be of brass construction. Wall-mount adapter kit shall include bent tubes (pair) with escutcheon and support bracket [K-101]. Wall-mount adapter kit shall allow for wall-mount installation of K-16210-4A, K-110-3, K-110-4 and K-110-9B bath faucets [K-101]. Wall-mount handshower holder shall allow for wall-mount installation of a bath faucet handshower [K-6525]. Product shall be Kohler Model K-\_\_\_\_-\_\_\_\_.

## Installation Notes

Install this product according to the installation guide.



### Product Diagram

WALL-MOUNT ADAPTER KIT AND HANDSHOWER HOLDER

Page 2 of 2  
114527-4-BC

THE BOLD LOOK  
OF **KOHLER**®