

10" Rough-In

Features:

HE-20-317

- Vitreous China
- High Efficiency 1.28 GPF (4.8 LPF)
- 17" Tall, ErgoHeight™ ADA Elongated Bowl
- 10" Rough-In
- Pressure Vessel Inside
- Dual fed siphon jets
- Fully glazed, 2" trapway
- Non-Sweating insulated tank
- Chrome, Metal Front Tank Lever
- 2 Color Matched Bolt Caps Included
- Toilet seat not included



Technical Information:

Included Components:

- Combination HE-20-317
- Bowl UF-21-377
- Tank HE-28-385

Other Tank Options: (bowl to be purchased separately)

N/A

Fixtures:

Configuration	Two-piece, ErgoHeight, ADA Elongated Toilet
Water per Flush	1.28 gpf (4.8 lpf)
Rough-In	10"
Height	30 9/16"
Width	20"
Depth	27 1/2"
Trapway	2"
Large Water Surface	8 11/16" x 6 5/16"
Product Weight	85 lbs

Accessories: (to be purchased separately)

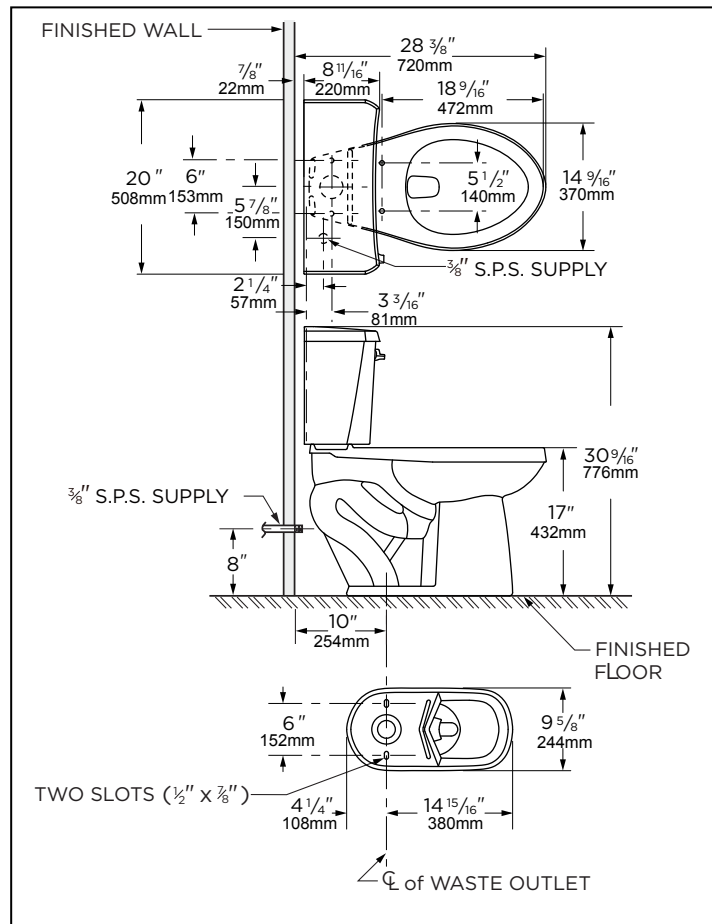
Soft Closed Toilet Seat	99-213
-------------------------	--------

Colors:

- White
- Other: Refer to Price Book for additional colors

Warranty:

- Limited Lifetime Warranty - see website for detailed warranty information



NOTES: All dimensions are in inches and millimeters. Illustrations may not be drawn to scale.

IMPORTANT: Dimensions of fixtures are nominal and may vary within the range of tolerances established by ASME standard A 112.19.2 THIS FIXTURE QUALIFIES ACCORDING TO ASME TEST PROCEDURES AS A HIGH-EFFICIENCY WATER CLOSET WITH AN AVERAGE CONSUMPTION OF 1.28 gpf (4.8 Lpf) OR LESS.