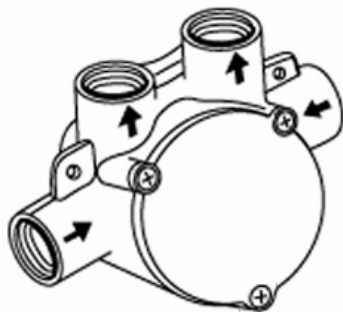


35 204 Remote Pressure Balance Valve



Description

Inline remote pressure balance valve
1/2" NPT female inlets
For use with non-safety mixing valves
To be installed upstream of the mixing valve(s)

Flow Rate

5.5 gpm at 45 psi

Code Compliance

ASME/ANSI A112.18.1M

Finish Options

35 204 000 Rough Brass

