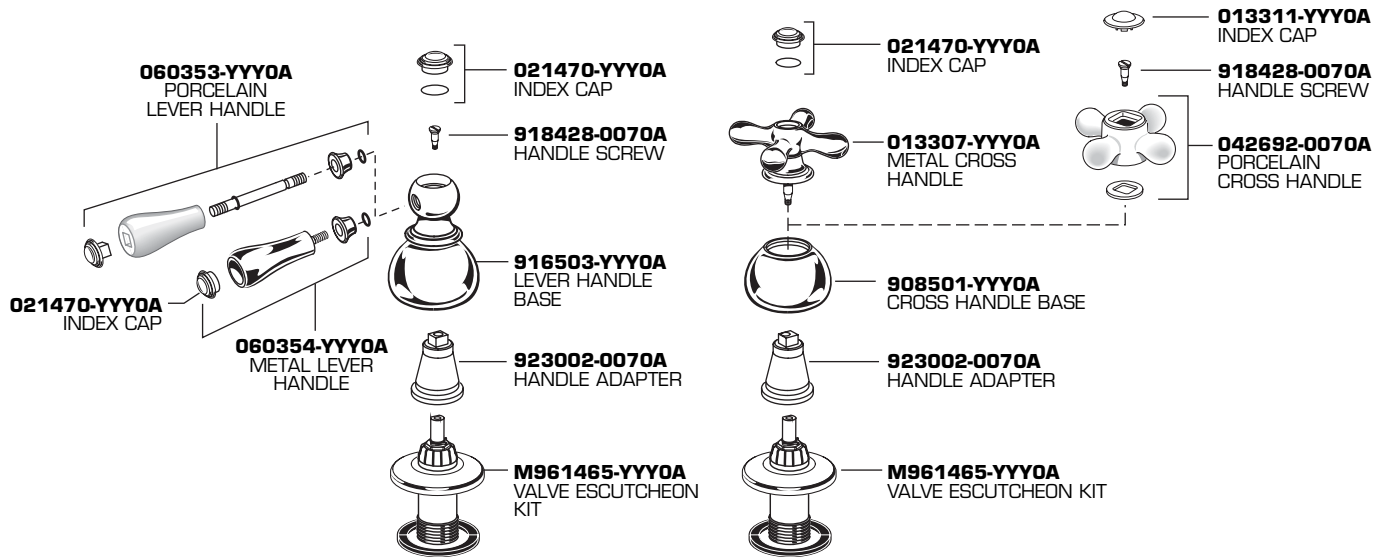
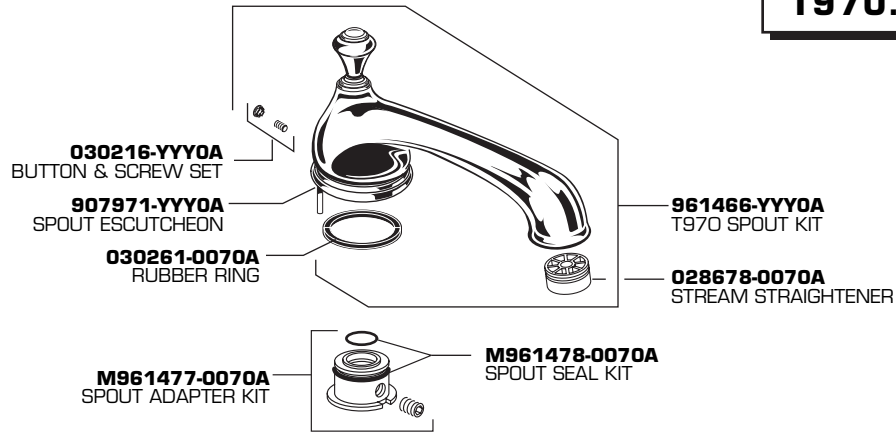


HAMPTON

DECK-MOUNT BATH FILLER TRIM KIT

MODEL NUMBER

- T970.702**
- T970.712**
- T970.722**
- T970.732**



Replace the "YYY" with appropriate finish code

CHROME	002
BLACKENED BRONZE	068
POL. BRASS	099
SATIN/CHROME	221
SATIN NICKEL	295
SATIN/ BRASS	297
CHROME/BRASS	299



HOT LINE FOR HELP
For toll-free information and answers to your questions, call:
1-800 442-1902
Weekdays 8:00 a.m. to 8:00 p.m. EST
IN CANADA 1-800-387-0369 (TORONTO 1-905-306-1093)
Weekdays 8:00 a.m. to 7:00 p.m. EST
IN MEXICO 01-800-839-12-00

Product names listed herein are trademarks of American Standard Inc.
© American Standard Inc. 2004