

HERITAGE 5' X 42" WHIRLPOOL

- 2805.018W Whirlpool Featuring System I:**
 - Acrylic with fiberglass reinforcement
 - Pre-leveled tub bottom
 - Dual, molded-in arm rests
 - Integral faucet deck area
 - 1.5 HP single speed, self-draining pump/motor
 - Factory installed power cord and plug
 - Six multi-directional and flow-adjustable jets including:
 - Two Ideal-flow jets
 - Four body massage jets
 - Deck-mounted air switch On/Off
 - Two silent air volume controls
 - Quick Connect Safe-T-Heater connection system
 - Factory installed and tested whirlpool system

- 2805.018WC Stay Clean™ Whirlpool Massage Featuring System I:**
 - Same as 2805.018W except with the StayClean™ whirlpool system featuring Antimicrobial AlphaSan®

- 2805.028W Whirlpool Massage Featuring System II:**

Same as 2805.018W except:

 - 2.0 HP, two speed self-draining pump/motor with dry run seal and Pulse feature
 - Deck-mounted electronic On/Off with 20 minute built-in timed safety shut off and chrome bezel

- 2805.028WC Stay Clean™ Whirlpool Massage Featuring System II:**
 - Same as 2805.028W except with the StayClean™ whirlpool system featuring Antimicrobial AlphaSan®

Nominal Dimensions: 1524 x 1067 x 546mm
(60" x 42" x 21-1/2")

**Compliance Certifications -
Meets or Exceeds the Following Specifications:**

- Underwriters Laboratories - Hydromassage Bathtubs UL 1795
- ASME A112.19.7M for Whirlpool Appliances
- ANSI Z124.1 for Plastic Bathtubs
- ASTM E162 for Flammability
- NFPA 258 for Smoke Density

NOTE: Roughing-in dimensions and product specifications shown on reverse side of page.



To Be Specified - Required:

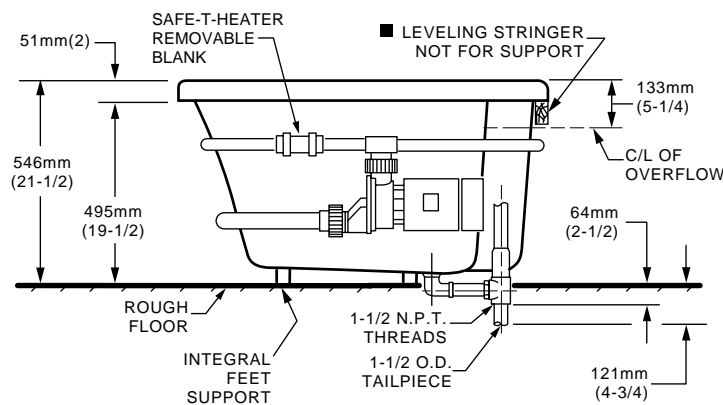
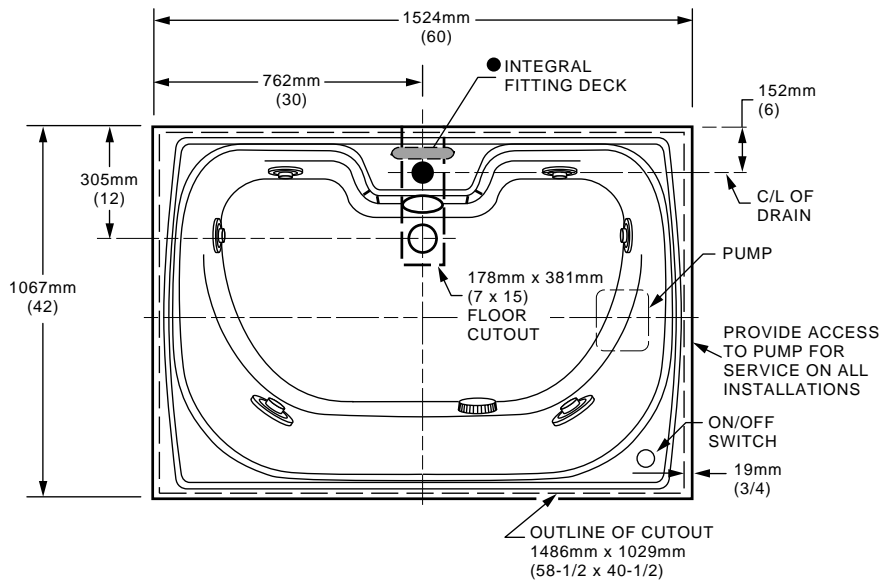
- Color:
- Bath Filler: (specify finish)
- Bath Drain: 1583.470 (specify finish)

To Be Specified - Optional:

- Safe-T-Heater*: 9075.120
- Heritage 5' Apron: 9160.2800 (specify color)
- Grab Bar Kit: 9822-100-one per kit (specify color)
- System II Control Bezel: 9861.100 (specify finish)

For color/finish availability and other faucet choices, please see the Product Selector and Pricing Guide.

* **NOTE:** the Safe-T-Heater is designed to maintain water temperature during operation. It will not heat cold water to desired bathing temperature.



GENERAL SPECIFICATIONS FOR 2805 WHIRLPOOL	
INSTALLED SIZE	60 x 42 x 21-1/2 In. (1524 x 1067 x 546mm)
WEIGHT	130 Lbs. (59 Kg.)
WEIGHT w/WATER	689 Lbs. (310 Kg.)
GAL. TO OVERFLOW	64 Gal. (243 L)
WHIRLPOOL MIN. OPERATING VOL.	52 Gal. (197 L)
BATHING WELL AT SUMP	43 x 22 In. (1092 x 559mm)
BATHING WELL AT RIM	55 x 35-1/2 In. (1397 x 902mm)
WATER DEPTH TO OVERFLOW	15 In. (381mm)
FLOOR LOADING (PROJECTED AREA)	39 Lbs./Sq.Ft. (191 Kgs./Sq.m)
PTS.	27.8
CUBE (FT ³)	47.4
WHIRLPOOL ELECTRICAL SPECIFICATIONS	
SYSTEM I PUMP	1.6 HP, 9.7 AMPS, 120V.
SYSTEM II PUMP	2.1 HP, 15.6 AMPS, 120V.

NOTES:

BATH CAN BE INSTALLED EITHER ABOVE OR BELOW FLOOR LINE AS PIER, ISLAND, OR PENINSULA TYPE INSTALLATION. SUMP OF BATH IS SUPPORTED BY INTEGRAL FEET. NO ADDITIONAL SUPPORT REQUIRED. ENCLOSING MATERIAL BY OTHERS.

■ REFER TO INSTALLATION INSTRUCTIONS SUPPLIED WITH WHIRLPOOL FOR ADDITIONAL INFORMATION.

OPTIONAL APRON 9160.2800 & GRAB BAR KIT AVAILABLE AND MUST BE ORDERED SEPARATELY.

FITTINGS NOT INCLUDED AND MUST BE ORDERED SEPARATELY.

PROVIDE SUITABLE REINFORCEMENT FOR ALL SUPPORTS.

● IF INSTALLING A DECK-MOUNTED FITTING, BEFORE DRILLING ANY HOLES: CHECK FOR INTERFERENCE WITH CIRCULATING SYSTEM PIPING, DRAIN OVERFLOW. MOUNTING HOLES DRILLED BY INSTALLER.

SUPPLY PIPING NOT INCLUDED.

IMPORTANT: Dimensions of fixtures are nominal and may vary within the range of tolerances established by ANSI Standard Z124.1. These measurements are subject to change or cancellation. No responsibility is assumed for use of superseded or voided pages.