

NOTES:

1. PACKAGE ITEMS 3, 4, AND 12 IN A BAG.

2 INSTALL PN: 11286 AS SHOWN.

3 SLIT THIS TEFLON O-RING BEFORE ASSEMBLE

BILL OF MATERIAL (CURRENT LEVEL)

ITEM	PT/ASSY	DESCRIPTION	TYPE	QTY.
1	129	HAND SPRAY	ASSEMBLY	1
2	11208	DIVERTER	ASSEMBLY	1
3	11280	MOUNTING BRACKET	PART	1
4	11285	MOUNTING NUT	PART	1
5	11286	RETAINER RING	PART	1
6	11291	POST SLEEVE	PART	1
7	91362	O-RING, 2-130	PART	1
8	91413	TEFLON, O-RING	PART	1
9	1-625	VALVE BODY, ASM	ASSEMBLY	1
10	2-175	ASSY, SPOUT, 940/941	ASSEMBLY	1
11	2-176	ASSY, HANDLE, SINGLE LEVER	ASSEMBLY	1
12	T-1014	INSTALLATION TOOL, WRENCH	PART	1

D

C

B

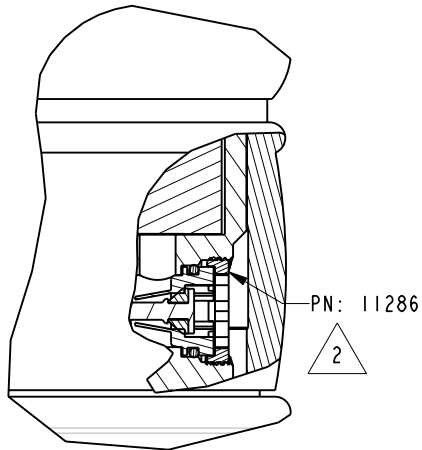
A

D

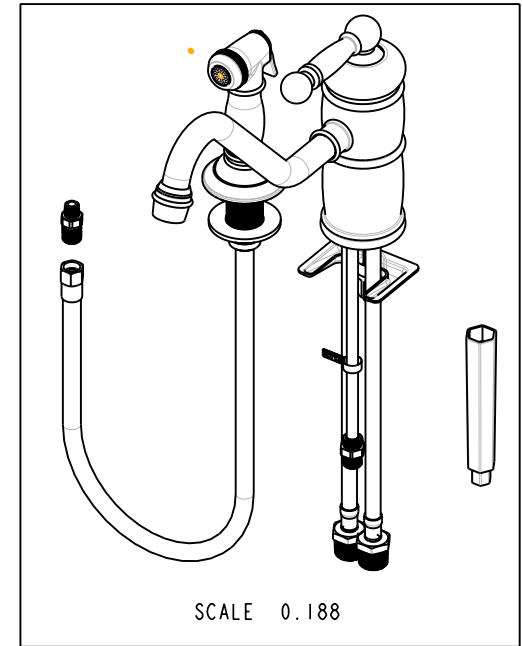
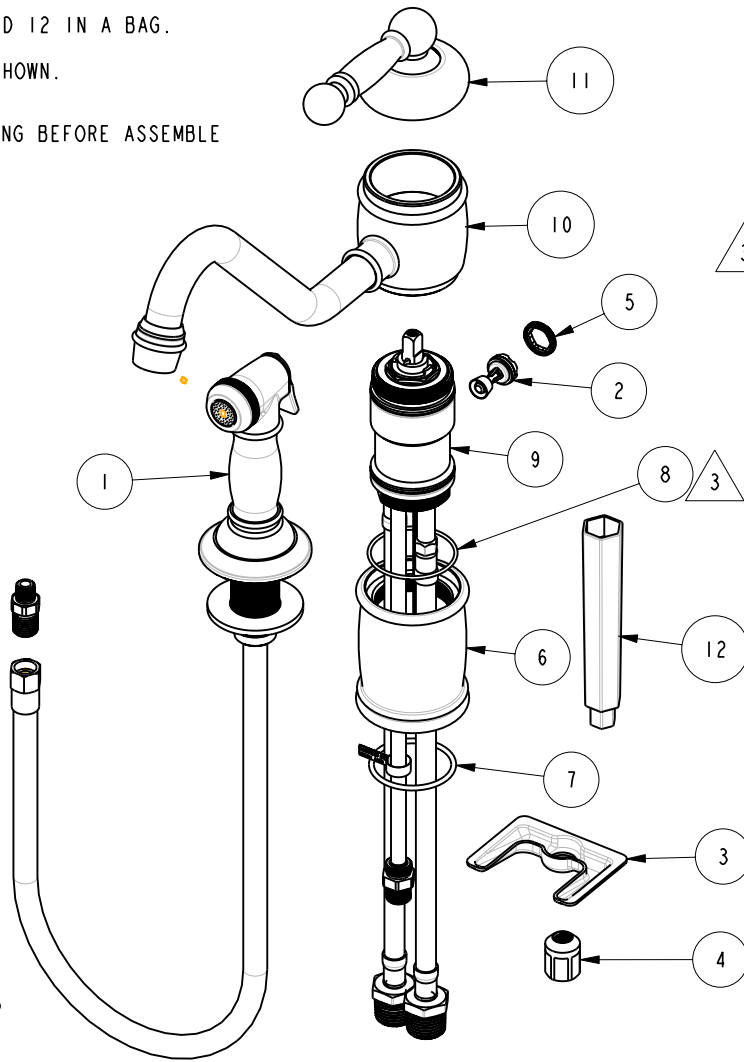
C

B

A



SCALE .750



SCALE 0.188

COPYRIGHT 2005 BRASSTECH, INC. THESE DRAWINGS AND THE DESIGNS DEPICTED HEREIN ARE THE PROPRIETARY PROPERTY OF BRASSTECH. ANY USE OR REPRODUCTION IS SUBJECT TO THE EXPRESS APPROVAL OF BRASSTECH. UNAUTHORIZED USE IS STRICTLY PROHIBITED. ALL RIGHTS RESERVED.

BRASSTECH
INCORPORATED
2001 E. CARNEGIE AVE.
SANTA ANA, CA 92705
(949) 417-5207

KIT W/SPRAY - SINGLE LEVER

ASSY. NO.
941

SCALE 0.250

REF. -

SHEET 1 OF 2

E	EO-0564	09/12/05
D	EO-0449	11/11/04
C	EO-0443	11/02/04
REV	REV DESC	DATE

4

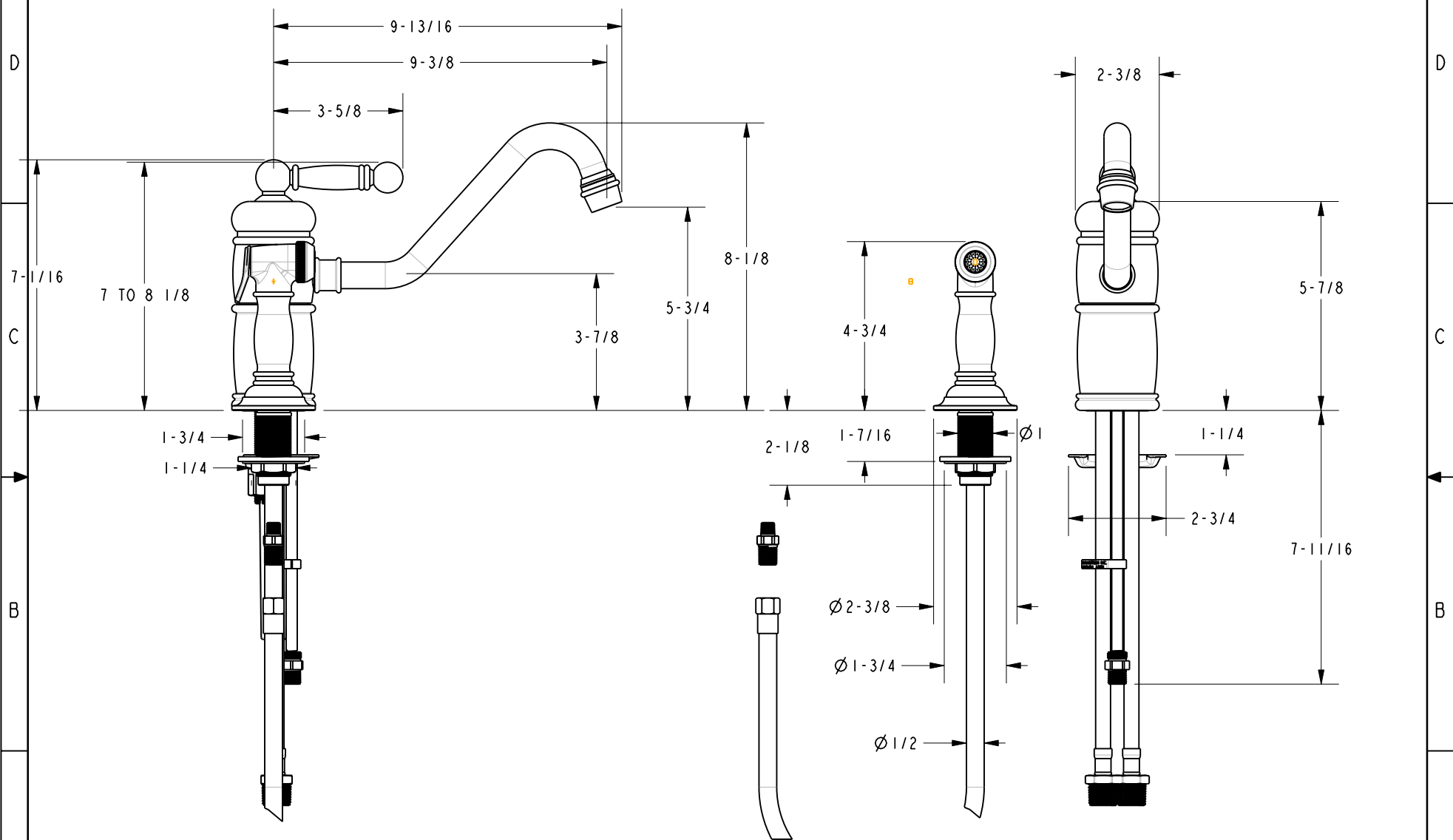
3

2

1

4 3 2 1

SPECIFICATION DWG



DIMENSIONS ARE IN INCHES AND AN APPROXIMATION OF A TYPICAL INSTALLATION

COPYRIGHT 2005 BRASSTECH, INC. THESE DRAWINGS AND THE DESIGNS DEPICTED HEREIN ARE THE PROPRIETARY PROPERTY OF BRASSTECH. ANY USE OR REPRODUCTION IS SUBJECT TO THE EXPRESS APPROVAL OF BRASSTECH. UNAUTHORIZED USE IS STRICTLY PROHIBITED. ALL RIGHTS RESERVED.

BRASSTECH		2001 E. CARNEGIE AVE.	
INCORPORATED		SANTA ANA, CA 92705	
		(949) 417-5207	
DWG NO.	941	REV	E
SCALE	0.250	REF.	-
		SHEET	2 OF 2