



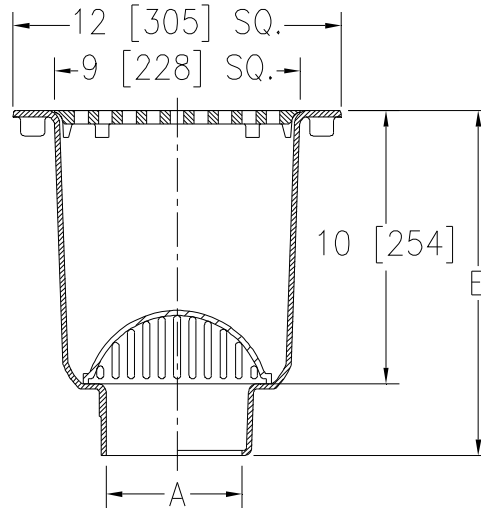
# Z1902

SPECIFICATION SHEET

## 12 X 12 [305 X 305] A.R.E. SANI-FLOR RECEPTOR w/ 10 [254] SUMP DEPTH

TAG \_\_\_\_\_

Dimensional Data (inches and [ mm ]) are Subject to Manufacturing Tolerances and Change Without Notice



A Pipe Size In.	Approx Wt. Lbs. [kg]	Grate Open Area Sq. In. [cm <sup>2</sup> ]
2-3-4 [51-76-102]	36 [13]	31 [200]

### ENGINEERING SPECIFICATION: ZURN Z1902

Sani-Flor Receptor 12 x 12 x 10 [305 x 305 x 254] Deep cast iron body and square, light-duty grate with 1/2 [13] slotted openings, white acid resisting porcelain enamel interior and top, complete with white ABS anti-splash interior bottom dome strainer.

**OPTIONS** (Check/specify appropriate options)

#### PIPE SIZE

2-3-4 [51-76-102]  
2-3-4 [51-76-102]  
2-3-4 [51-76-102]

#### OUTLET (Specify size/type)

\_\_\_ IC Inside Caulk  
\_\_\_ NH No-Hub  
\_\_\_ NL Neo-Loc

#### 'E' BODY HT. DIMENSION

Z	ZN / ZS
12-5/8 [321]	13-1/8 [333]
12-5/8 [321]	13-1/8 [333]
12 [305]	12-1/2 [318]

#### PREFIXES

\_\_\_ Z Cast Iron Body w/ White A.R.E. Interior\*  
\_\_\_ ZN Cast Iron Body w/ White A.R.E. Interior, 12-1/2 [318] Square N.B. Frame and Full Grate w/ 1/2 [13] Square Openings (Add 1/2 [13] to 12 [305] Dim.)  
\_\_\_ ZS Cast Iron Body w/ White A.R.E. Interior, 12-1/2 [318] Square Stainless Steel Frame and Full Grate w/ 1/2 [13] Square Openings (Add 1/2 [13] to 12 [305] Dim.)

#### SUFFIXES

___ -DX Dex-O-Tex Flange (ZN Only)	___ -8 Grate w/ 8-7/8 x 3-5/8 x 3-3/4 [225 x 92 x 95] High Oval Funnel
___ -HD Stainless Steel Frame w/ Extra-Heavy Duty Stainless Steel Grate (ZS Only)	___ -9 Angle Frame and Grate (ZN Only)
___ -HP Heel-Proof Grate (ZN Only)	___ -11 Vandal-Proof Secured Grate (ZN & ZS Only)
___ -K Anchor Flange	___ -12 Depressed Aluminum Grate (ZN Only)
___ -KC Anchor Flange w/ Seepage Holes and Clamp Collar	___ -15 Solid Loose Set Cover (Z & ZN Only)
___ -LD (Less) Bottom Dome Strainer	___ -16 1/2 Solid Loose Set Cover (Z & ZN Only)
___ -P 1/2 [13] Trap Primer Connection (See Z1023)	___ -17 3/4 Solid Loose Set Cover (Z & ZN Only)
___ -SA Stabilizer Assembly (See Z1903)	___ -18 Solid Loose Set Cover w/ Center Opening (2-1/4 [57] Square for Z Only) and (3 [76] Square for ZN Only)
___ -TC Neo-Loc Test Cap Gasket (2-4 [51-102] NL Bottom Outlet Only)	___ -19 Full Hinged Grate (ZN Only)
___ -VPS Vandal-Proof Strainer	___ -23 Aluminum Bucket
___ -1 (Less) Grate	___ -25 White A.R.C. Bucket
___ -2 1/2 Grate	___ -31 Stainless Steel Mesh Liner for Bucket
___ -3 3/4 Grate	___ -32 Aluminum Dome Strainer
___ -4 Full Grate w/ Center Opening (2 [51] Dia. for Z) and (3-1/32 [77] Square for ZN & ZS)	___ -33 White A.R.C. Anti-Splash Bottom Dome Strainer
___ -5 Grate w/ 4 [102] Dia. x 3-3/4 [95] High Funnel	___ -34 N.B. Anti-Splash Bottom Dome Strainer
___ -6 Grate w/ 6 [152] Dia. x 6 [152] High Funnel	
___ -7 Grate w/ 6-3/4 x 3 x 1 [171 x 76 x 25] High Oval Funnel	

\*REGULARLY FURNISHED UNLESS OTHERWISE SPECIFIED

REV. L	DATE: 9/20/11	C.N. NO. 122168
DWG. NO. 59343	PRODUCT NO. Z1902	

ZURN INDUSTRIES, LLC. ♦ SPECIFICATION DRAINAGE OPERATION ♦ 1801 Pittsburgh Ave. ♦ Erie, PA 16514

Phone: 814/455-0921 ♦ Fax: 814/454-7929 ♦ World Wide Web: www.zurn.com

In Canada: ZURN INDUSTRIES LIMITED ♦ 3544 Nashua Drive ♦ Mississauga, Ontario L4V1L2 ♦ Phone: 905/405-8272 Fax: 905/405-1292