

- Lead-free design †
- Glass-filled polysulfone valve body
- Thermoplastic polymer cartridge
- Reliable wax-filled thermostat
- Adjustable set point within temperature range
- Easy installation and serviceability
- Universal Mounting Capability
- Integral check valves and strainers
- Factory assembled and tested
- Optional mounting bracket

Valve Specifications

Maximum Operating Pressure
125 PSI (860 kPA)

Maximum Inlet Temperature
180° F (82° C)

Temperature Range
Std. 95° F (35° C) to 125° F (52° C)

Temperature Differential – Hot to Mix
10° F (18° C)

Flow Capacities – GPM (L/Min)

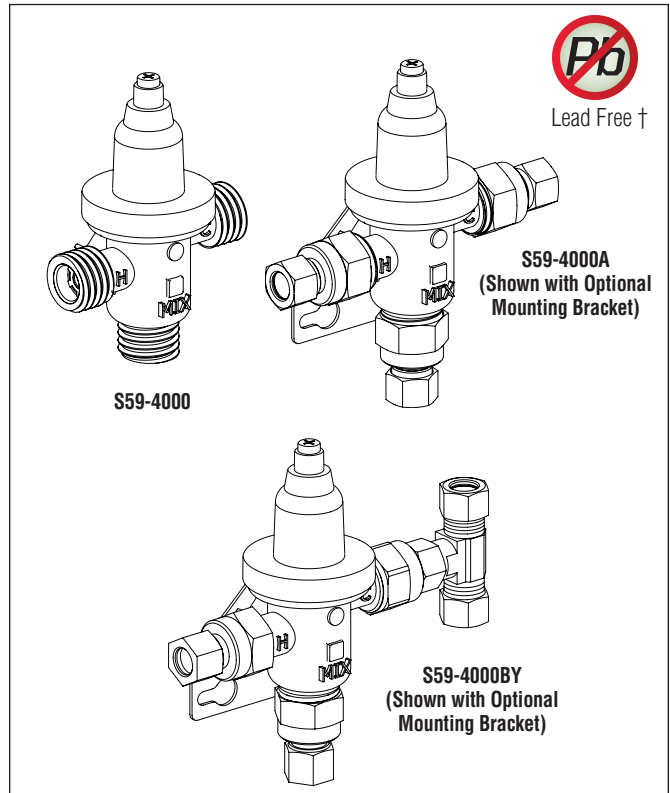
Min. Flow	Pressure Drop – PSI (Bar)						
	5 (.5)	10 (1.0)	15 (1.5)	20 (2.0)	30 (2.5)	45 (3.0)	60 (4.0)
0.35 (1.5)	2.0 (7.5)	2.5 (9.0)	3.0 (11.0)	3.5 (13.0)	4.5 (17.0)	5.5 (19.0)	6.5 (24.5)

Code Compliance and Certifications

ASSE 1070 & cUPC certified. Complies with California Lead Plumbing Law.



† Wetted surface contains less than .25% lead



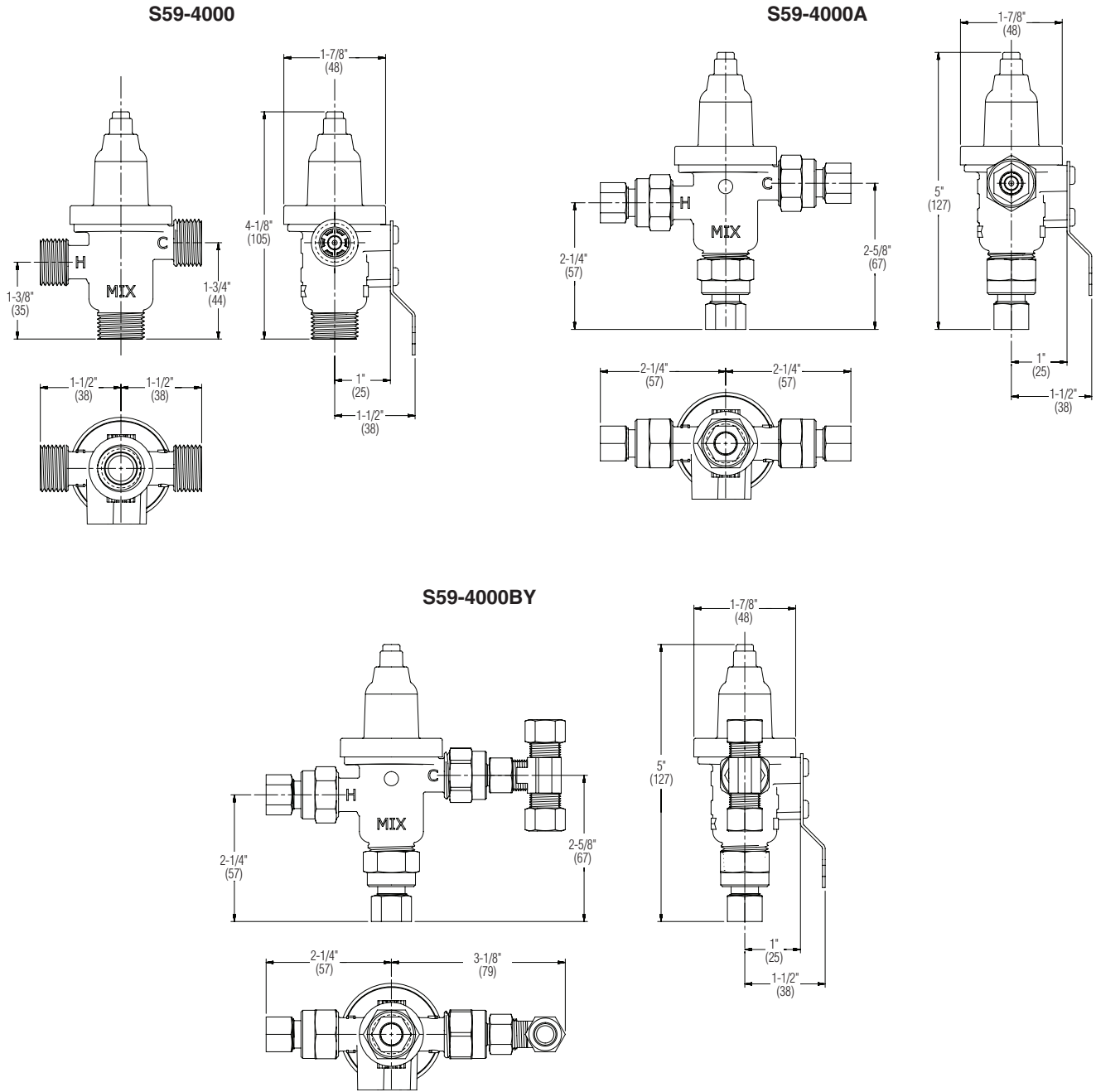
Models (Must select one)

Model	Description
<input type="checkbox"/> S59-4000	Navigator® Thermostatic Mixing Valve with 1/2" male NPT connection
<input type="checkbox"/> S59-4000A	Navigator Thermostatic Mixing Valve with 3/8" Compression Fittings
<input type="checkbox"/> S59-4000BY	Navigator Thermostatic Mixing Valve with 3/8" Compression Cold Side Bypass
<input type="checkbox"/> S45-2456	Optional Mounting Bracket

Engineer's Approval _____

Consult local and national codes: conformity and compliance to local and national codes is the responsibility of the installer.

Dimensions (mm)



Consult local and national codes: conformity and compliance to local and national codes is the responsibility of the installer.