

Product information presented here reflects conditions at time of publication. Consult factory regarding discrepancies or inconsistencies.



PUMP COMPANY

Zoeller Family of Water Solutions™

MAIL TO: P.O. BOX 16347 • Louisville, KY 40256-0347
 SHIP TO: 3649 Cane Run Road • Louisville, KY 40211-1961
 (502) 778-2731 • 1 (800) 928-PUMP • FAX (502) 774-3624

visit our web site:
www.zoeller.com

COMPARE THESE FEATURES

- Float-operated, 2-pole mechanical switch
- Durable cast construction, ASTM class 25 cast iron, switch case, and pump housing
- Cast iron base on 267, 268
- Engineered plastic base on 266
- Non-clogging vortex impeller design
 Engineered plastic impeller with metal inserts on models 266, 267 & 268 (1 PH) model 267 available with cast iron impeller option (cast iron impeller standard on 3 PH models.)
- Not effected by materials normally found in drainage and sewage sumps
- Stainless steel screws, bolts, handle, guard, and arm and seal assembly
- UL listed 3-wire neoprene cord and plug
 10 ft. cord standard for automatic
 15 ft. cord standard for nonautomatic
- Square ring & gasket - neoprene
- Motor - 266/267/268 Series - ½ HP 60 Hz, 1725 RPM, oil-filled, hermetically sealed, automatic reset thermal overload protected (1 PH only)
- Oil-lubricated bearings
- Carbon and ceramic shaft seal
- Passes 2" spherical solids
- 2" NPT discharge
- Model 268 contains combination 2" NPT female and 3" NPT male discharge
- On point - 12"; Off point - 4" (automatic units)
- Corrosion-resistant powder coated epoxy finish

ALL MODELS ARE COMPLETELY SUBMERSIBLE HERMETICALLY SEALED

Watertight - dust tight

Note: The sizing of effluent systems normally requires variable level float(s) controls and properly sized basins to achieve required pumping cycles or dosing timers with nonautomatic pumps.

* May be used in those states where codes do not restrict solids size in effluent systems.
 ** See back page for UL & CSA listings.

266 - 267 - 268 Series
 (For Pump Prefix Identification see News & Views 0052)

“WASTE-MATE”
 SUBMERSIBLE
SEWAGE/*EFFLUENT PUMP
 OR DEWATERING PUMP
 2" NPT DISCHARGE

Automatic
“267”

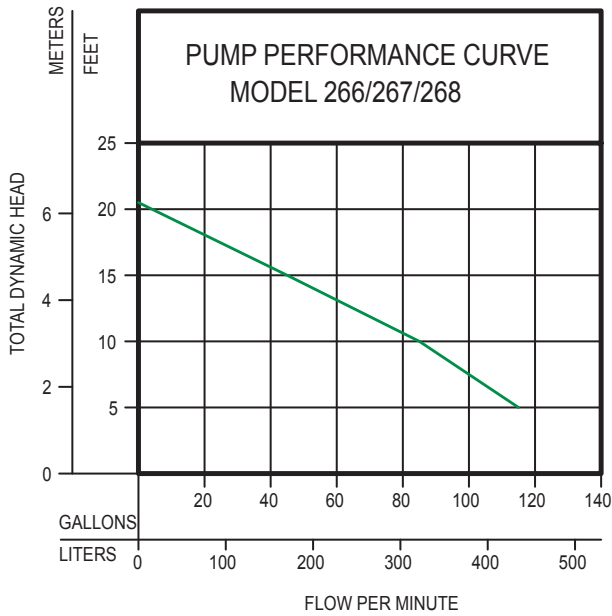
Automatic
“268”

FEATURES AVAILABLE

- Automatic
- Nonautomatic (for variable level systems)
- 2" NPT discharge (2" & 3" Model 268)
- ½ HP, 1 Ph, 115V, 200-208V, or 230V
- Passes 2" spherical solids
- BN and BE267 pumps available packaged with a piggyback variable level float switch
- ½ HP, 3 Ph, 200-208V, 230V, or 460V

Nonautomatic
“267”
for variable
level systems

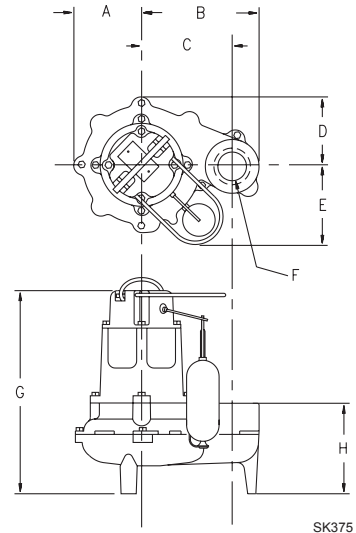
POWDER COATED TOUGH™



TOTAL DYNAMIC HEAD/FLOW PER MINUTE SEWAGE AND DEWATERING

MODEL		266/267/268	
Feet	Meters	Gal.	Liters
5	1.5	115	435
10	3.0	85	322
15	4.6	45	170
Shut-off Head:		20.5 ft.(6.2m)	

013225



SK375

MODEL	A	B	C	D	E	F	G	H
266	4-3/4	8-5/16	6-13/32	4-3/4	6-15/32	2" NPT	14-1/32	6-3/32
267	4-3/4	8-5/16	6-13/32	4-3/4	6-15/32	2" NPT	14-5/8	6-3/4
268	4-3/4	8-13/32	6-13/32	4-3/4	6-15/32	2 7/32" NPT	14-5/8	9-1/16

CONSULT FACTORY FOR SPECIAL APPLICATIONS

266 MODELS				Control Selection		Listings	
Model	Volts-Ph	Mode	Amps	Simplex	Duplex	CSA	UL
M266	115	1 Auto	10.4	1	4	Y	Y
** BN266	115	1 Auto	10.4	**	4	Y	Y
N266	115	1 Non	10.4	2 or 3	2 or 4	Y	Y
D266	230	1 Auto	5.5	1	---	Y	Y
E266	230	1 Non	5.5	2 or 3	4	Y	Y
** BE266	230	1 Auto	5.5	**	---	Y	Y
* H266	200-208	1 Auto	6.2	1	---	Y	N
* I266	200-208	1 Non	6.2	3	4	Y	N
* J266	200-208	3 Non	2.6	3	4	Y	Y
* F266	230	3 Non	2.6	3	4	Y	Y
* G266	460	3 Non	1.5	3	4	Y	N

267 MODELS				Control Selection		Listings	
Model	Volts-Ph	Mode	Amps	Simplex	Duplex	CSA	UL
M267	115	1 Auto	10.4	1	4	Y	Y
** BN267	115	1 Auto	10.4	**	4	Y	Y
N267	115	1 Non	10.4	2 or 3	2 or 4	Y	Y
D267	230	1 Auto	5.5	1	---	Y	Y
E267	230	1 Non	5.5	2 or 3	4	Y	Y
** BE267	230	1 Auto	5.5	**	---	Y	Y
* H267	200-208	1 Auto	6.2	1	---	Y	N
* I267	200-208	1 Non	6.2	3	4	Y	N
* J267	200-208	3 Non	2.6	3	4	Y	Y
* F267	230	3 Non	2.6	3	4	Y	Y
* G267	460	3 Non	1.5	3	4	Y	N

268 MODELS				Control Selection		Listings	
Model	Volts-Ph	Mode	Amps	Simplex	Duplex	CSA	UL
M268	115	1 Auto	10.4	1	4	Y	Y
** BN268	115	1 Auto	10.4	**	4	Y	Y
N268	115	1 Non	10.4	2 or 3	2 or 4	Y	Y
D268	230	1 Auto	5.5	1	---	Y	Y
E268	230	1 Non	5.5	2 or 3	4	Y	Y
** BE268	230	1 Auto	5.5	**	---	Y	Y
* H268	200-208	1 Auto	6.2	1	---	Y	N
* I268	200-208	1 Non	6.2	3	4	Y	N
* J268	200-208	3 Non	2.6	3	4	Y	Y
* F268	230	3 Non	2.6	3	4	Y	Y
* G268	460	3 Non	1.5	3	4	Y	N

*No molded plug **Single piggyback switch included

- Minimum recommended basin size (Small load applications)
Simplex - 18" x 30"
Duplex - 30" x 36"
- High water alarms available

Standard All Models -

- 266 - Weight 41 lbs. ½ HP
- 267 - Weight 47.5 lbs. ½ HP
- 268 - Weight 51 lbs. ½ HP

Caution: Maximum temperature of sewage or dewatering must be limited to 130°F (54°C). For over 130°F (54°C) special quotation required.

- For "M" and "D" models, the approximate gallons pumped out per cycle are:

Tank Diameter	Gallons Pumped
18" Simplex	8 Gallons
24" Simplex	15 Gallons
30" Duplex	22 Gallons
36" Duplex	33 Gallons
48" Duplex	60 Gallons

SELECTION GUIDE

1. Integral float operated mechanical switch, no external control required.
2. For automatic use single piggyback variable level float switch or double piggyback variable level float switch. Refer to FM0477.
3. See FM1228 for correct model of simplex control panel.
4. See FM0712 for correct model of duplex control panel or FM1663 for a residential alternator system.

For information on additional Zoeller products refer to catalog on Simplex Panels, FM1596; Piggyback Variable Level Switches, FM0477; Electrical Alternator, FM0486; Mechanical Alternator, FM0495; Sump/ Sewage Basins, FM0487; Single Phase Alarm Systems, FM0732; Watertight Junctions Boxes, FM1597; and Disconnect & Rail Systems, FM0787.

CAUTION

All installation of controls, protection devices and wiring should be done by a qualified licensed electrician. All electrical and safety codes should be followed including the most recent National Electrical Code (NEC) and the Occupational Safety and Health Act (OSHA).

RESERVE POWERED DESIGN

For unusual conditions a reserve safety factor is engineered into the design of every Zoeller pump.

© Copyright 2014 Zoeller® Co. All rights reserved.