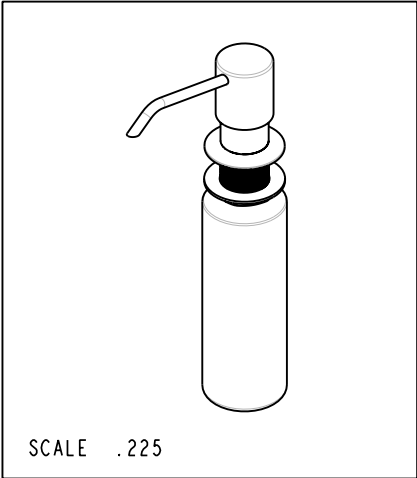


BILL OF MATERIAL (CURRENT LEVEL)				
ITEM	PT/ASSY	DESCRIPTION	TYPE	QTY.
1	6-001	HEAD ASSY W/SS TUBE	ASSEMBLY	1
2	125-8	LOTION PUMP	ASSEMBLY	1
3	125-9	SOAP DESPENSER BOTTLE	PART	1
4	50111	SOAP DISPENSER BODY	PART	1
5	50112	SOAP DISPENSER ESC.	PART	1
6	50113	NIPPLE -SOAP DISPENSER	PART	1
7	50114	MOUNTING NUT-1-1/8-18	PART	1
8	91073	O-RING #2-120	PART	1
9	91133	SOAP DISPENSER WASHER	PART	1



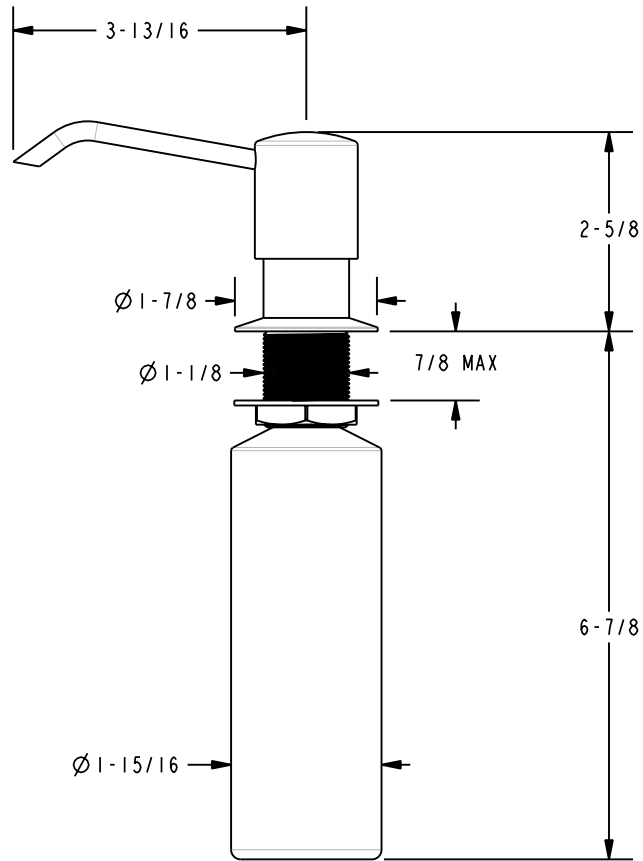
COPYRIGHT 2005 BRASSTECH, INC. THESE DRAWINGS AND THE DESIGNS DEPICTED HEREIN ARE THE PROPRIETARY PROPERTY OF BRASSTECH. ANY USE OR REPRODUCTION IS SUBJECT TO THE EXPRESS APPROVAL OF BRASSTECH. UNAUTHORIZED USE IS STRICTLY PROHIBITED. ALL RIGHTS RESERVED.

BRASSTECH
INCORPORATED
2001 E. CARNEGIE AVE.
SANTA ANA, CA 92705
(949) 417-5207

SOAP AND LOTION DISPENSER

ASSY. NO.	125		
SCALE .275	REF. -	SHEET 1 OF 2	REV
A	EO-0529	07/06/05	
-	RELEASED	PRE '95	
REV	REV DESC	DATE	

SPECIFICATION DWG



DIMENSIONS ARE IN INCHES AND AN APPROXIMATION OF A TYPICAL INSTALLATION

COPYRIGHT 2005 BRASSTECH, INC. THESE DRAWINGS AND THE DESIGNS DEPICTED HEREIN ARE THE PROPRIETARY PROPERTY OF BRASSTECH. ANY USE OR REPRODUCTION IS SUBJECT TO THE EXPRESS APPROVAL OF BRASSTECH. UNAUTHORIZED USE IS STRICTLY PROHIBITED. ALL RIGHTS RESERVED.

BRASSTECH		2001 E. CARNEGIE AVE.	
INCORPORATED		SANTA ANA, CA 92705	
		(949) 417-5207	
DWG NO.	125	REV	A
SCALE	.400	REF.	-
		SHEET	2 OF 2